

O330.GP-GLZZB.72ZV

Diffuse sensors with background suppression - miniature

Article number: 11261467

Overview

- Outstanding reliability and unrivalled immunity against ambient light
- Baumer PinPoint LED: Small, homogeneous light spot with sharp edges
- qTeach - tamper-proof, simple teach-in with ferromagnetic tool
- Robust housing with brass spacer sleeves



Picture similar



Technical data

General data

| | |
|-------------------------------------|------------------------|
| Type | Background suppression |
| Light source | Pulsed PinPoint LED |
| Sensing distance Tw | 20 ... 350 mm |
| Sensing range Tb | 8 ... 385 mm |
| Power on indication | LED green |
| Output indicator | LED yellow |
| Sensing distance adjustment | qTeach / external |
| Wave length | 634 nm |
| Suppression of reciprocal influence | Yes |
| Alignment optical axis | < 1,5° |

Electrical data

| | |
|------------------------------------|----------------------|
| Response time / release time | < 1 ms |
| Voltage supply range +Vs | 10 ... 30 VDC |
| Current consumption max. (no load) | 50 mA |
| Current consumption typ. | 25 mA |
| Voltage drop Vd | < 2 VDC |
| Output function | Light / dark operate |
| Output circuit | Push-pull |

Electrical data

| | |
|-----------------------------|----------|
| Output current | < 100 mA |
| Short circuit protection | Yes |
| Reverse polarity protection | Yes |

Mechanical data

| | |
|-----------------------|------------------------------------|
| Width / diameter | 11 mm |
| Height / length | 32 mm |
| Depth | 21 mm |
| Type | Rectangular |
| Mechanical mounting | Sleeve smooth (brass) |
| Housing material | Plastic (ABS, ASA, PMMA) |
| Front (optics) | PMMA |
| Connection types | Cable 4 pin, 2 m |
| Cable characteristics | PVC / PVC 4 x 0.14 mm ² |

Ambient conditions

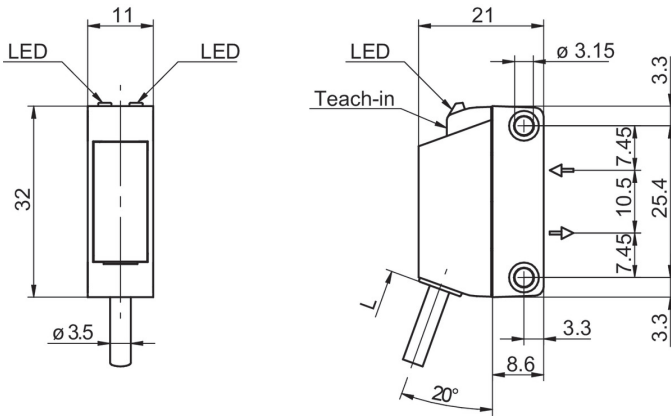
| | |
|-------------------------|---|
| Protection class | IP 67 |
| Operating temperature | -25 ... +55 °C |
| Storage temperature | -40 ... +70 °C |
| Vibration (sinusoidal) | IEC 60068-2-6:2008 10 g at f = 10 - 2000 Hz, duration 150 min per axis |
| Shock (semi-sinusoidal) | IEC 60068-2-27:2009 50 g / 11 ms, 10 impulses per axis and direction |

O330.GP-GLZZB.72ZV

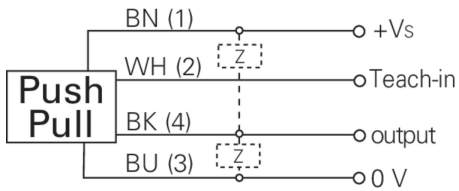
Diffuse sensors with background suppression - miniature

Article number: 11261467

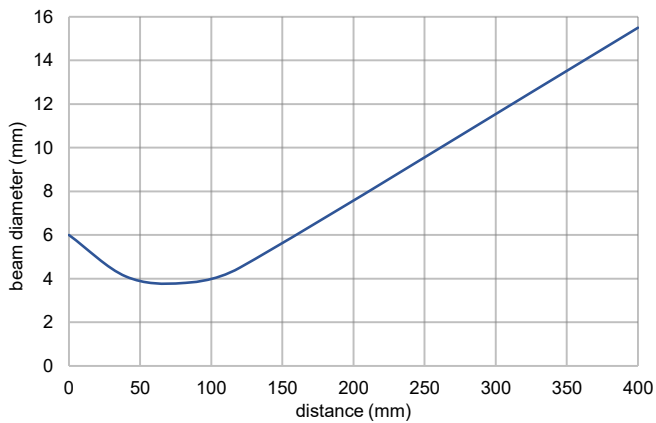
Dimension drawing



Connection diagram



Beam characteristic (typically)



Sensing distance diagram

