

Overview

- Outstanding reliability and unrivalled immunity against ambient light
- Baumer PinPoint LED: Small, homogeneous light spot with sharp edges
- Line beam for complete detection of irregular, perforated objects
- qTeach - tamper-proof, simple teach-in with ferromagnetic tool
- Quick mounting by means of M3 threaded bushes made of brass



Picture similar



Technical data

General data

Type	Background suppression
Version	Line beam
Light source	Pulsed PinPoint LED
Sensing distance Tw	20 ... 250 mm
Sensing range Tb	8 ... 275 mm
Power on indication	LED green
Output indicator	LED yellow
Sensing distance adjustment	qTeach / external
Wave length	634 nm
Suppression of reciprocal influence	Yes
Beam type	Line
Alignment optical axis	< 1,5°

Electrical data

Response time / release time	< 2.5 ms
Voltage supply range +Vs	10 ... 30 VDC
Current consumption max. (no load)	50 mA
Current consumption typ.	25 mA
Voltage drop Vd	< 2 VDC
Output function	Light / dark operate

Electrical data

Output circuit	Push-pull
Output current	< 100 mA
Short circuit protection	Yes
Reverse polarity protection	Yes

Mechanical data

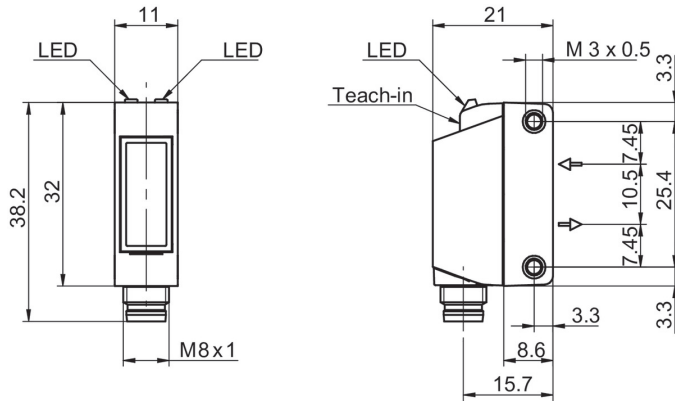
Width / diameter	11 mm
Height / length	32 mm
Depth	21 mm
Type	Rectangular
Mechanical mounting	Threaded sleeves M3 (brass)
Housing material	Plastic (ABS, ASA, PMMA)
Front (optics)	PMMA
Connection types	Connector M8 4 pin

Ambient conditions

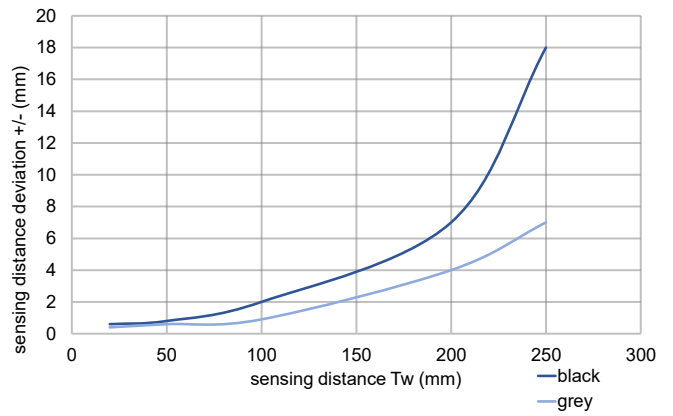
Protection class	IP 67
Operating temperature	-25 ... +55 °C
Storage temperature	-40 ... +70 °C
Vibration (sinusoidal)	IEC 60068-2-6:2008 10 g at f = 10 - 2000 Hz, duration 150 min per axis
Shock (semi-sinusoidal)	IEC 60068-2-27:2009 50 g / 11 ms, 10 impulses per axis and direction

2023-06-05 The product features and technical data specified do not express or imply any warranty. Technical modifications subject to change.

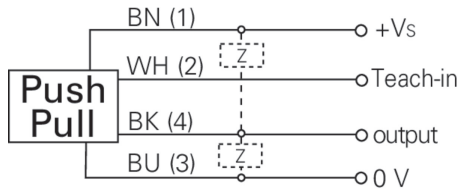
Dimension drawing



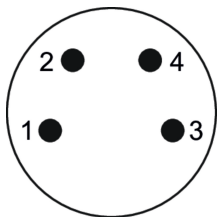
Sensing distance diagram



Connection diagram



Pin assignment



Beam characteristic (typically)

