

Overview

- Most secure object detection due to the barrier principle
- Fixed preset for the simplest commissioning
- Quick mounting by means of M3 threaded bushes made of brass



Picture similar



Technical data

General data

Type	Through beam sensor
Emitter / receiver	Receiver
Actual range Sb	10 m
Nominal range Sn	12 m
Alignment / soiled lens indicator	Flashing output indicator
Output indicator	LED yellow
Power on indication	LED green
Sensitivity adjustment	No
Suppression of reciprocal influence	Yes

Electrical data

Response time / release time	< 0.8 ms
Voltage supply range +Vs	10 ... 30 VDC
Current consumption max. (no load)	50 mA
Current consumption typ.	25 mA
Voltage drop Vd	<2 VDC

Electrical data

Output function	Dark operate
Output circuit	Push-pull
Output current	100 mA
Short circuit protection	Yes
Reverse polarity protection	Yes

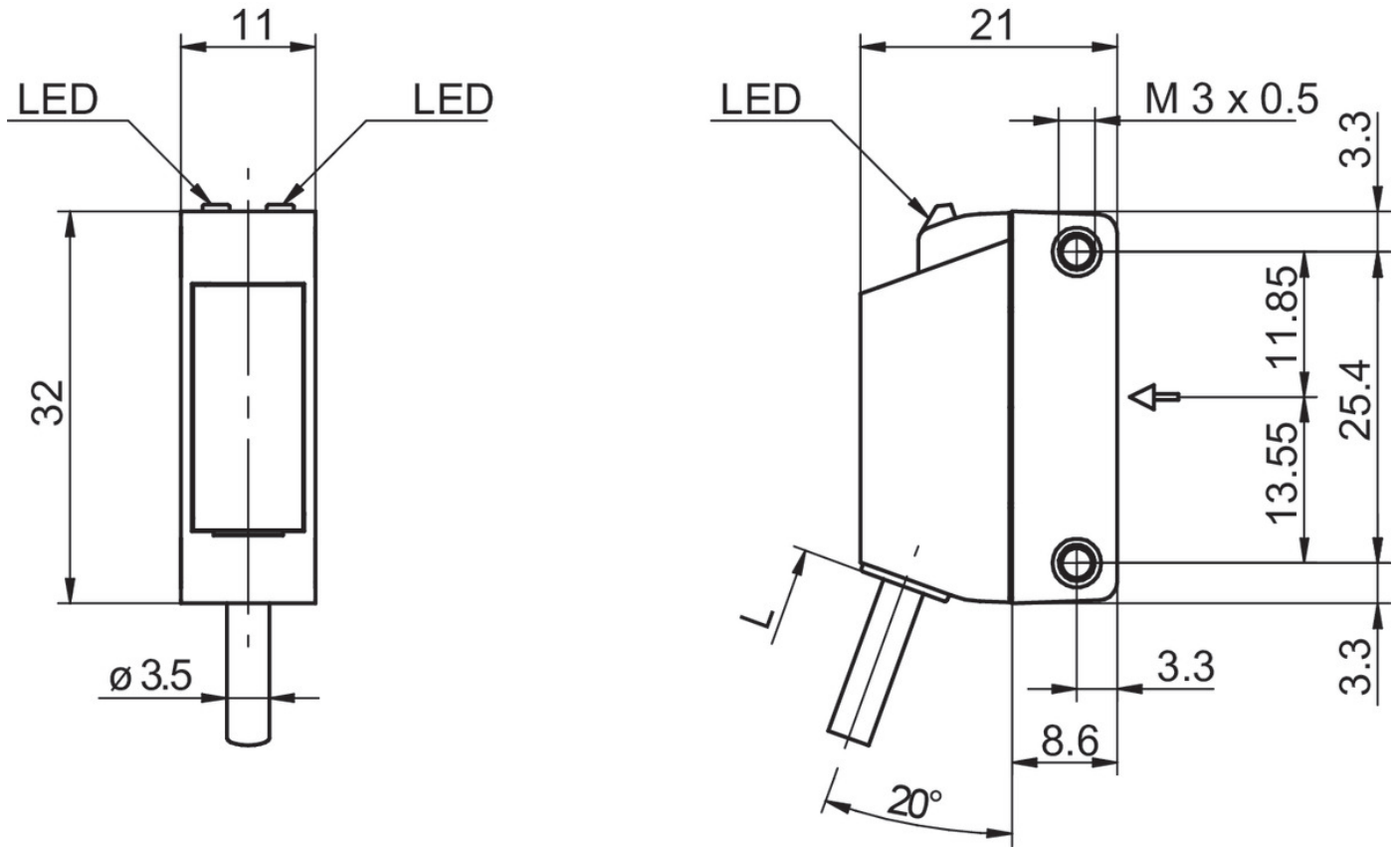
Mechanical data

Width / diameter	11 mm
Height / length	32 mm
Depth	21 mm
Design	Rectangular
Mechanical mounting	Threaded sleeves M3 (brass)
Housing material	Plastic (ABS, ASA, PMMA)
Front (optics)	PMMA
Connection types	Cable 4 pin, 2 m
Cable characteristics	PVC / PVC 4 x 0.14 mm ²

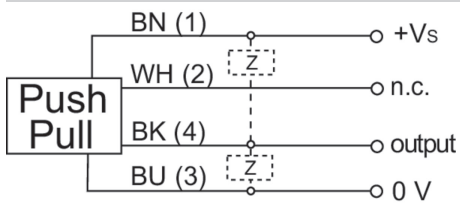
Ambient conditions

Operating temperature	-25 ... +55 °C
Protection class	IP 67
Storage temperature	-40 ... +70 °C

Technical drawings



Connection diagram



Excess gain curve

