

O300W.GL-GW1J.PVN

Diffuse sensors with background suppression - washdown

Article number: 11171770

Overview

- background suppression
- 30 ... 250 mm
- pulsed red laser diode
- push-pull
- Teach-in and IO-Link
- connector M8 4 pin
- -10 ... 60 °C
- IP 68/69K & proTect+



Picture similar



Technical data

General data

Type	Background suppression
Special type	Washdown design
Light source	Pulsed red laser diode
Sensing distance Tw	30 ... 250 mm
Sensing range Tb	15 ... 250 mm
Repeat accuracy	< 0,1 mm at laser focus
Power on indication	LED green
Light indicator	LED yellow
Sensing distance adjustment	Teach-in and IO-Link
Laser class	1
Distance to focus	80 mm
Wave length	656 nm
Suppression of reciprocal influence	Yes
Alignment optical axis	< 2°
Approvals/certificates	Ecolab

Electrical data

Response time / release time	< 0,25 ms
Voltage supply range +Vs	11 ... 30 VDC

Electrical data

Current consumption max. (no load)	30 mA
Current consumption typ.	25 mA
Voltage drop Vd	< 2,5 VDC
Output function	Light / dark operate
Output circuit	Push-pull
Output current	< 100 mA
Short circuit protection	Yes
Reverse polarity protection	Yes

Mechanical data

Width / diameter	16,5 mm
Height / length	34,7 mm
Depth	28,2 mm
Type	Rectangular
Housing material	Stainless steel 1.4404 (V4A)
Front (optics)	PMMA
Connection types	Connector M8 4 pin

Ambient conditions

Protection class	IP 68/69K & proTect+
Operating temperature	-10 ... +60 °C

Remarks

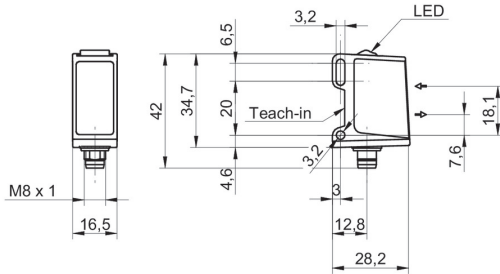
- qTeach
- IO-Link: V1.1, filter functions, qTeach lock adjustable

O300W.GL-GW1J.PVN

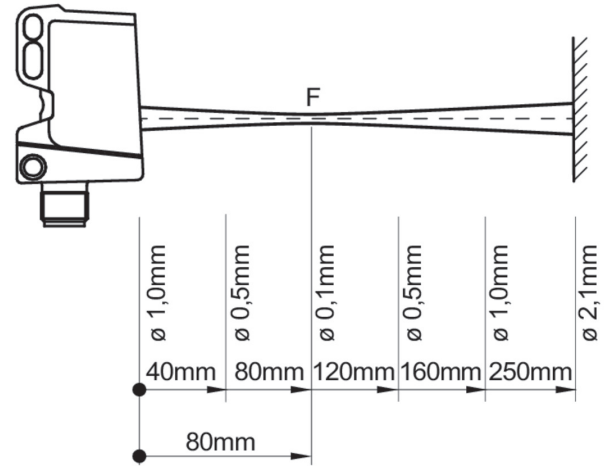
Diffuse sensors with background suppression - washdown

Article number: 11171770

Dimension drawing



Beam characteristic (typically)



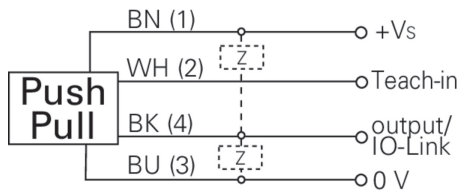
Laser warning

**CLASS 1 LASER
PRODUCT**

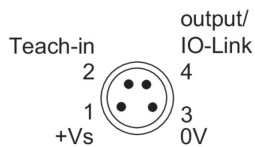
IEC 60825-1/2014

Complies with 21 CFR 1040.10 and 1040.11 except for conformance with IEC 60825-1 Ed. 3., as described in Laser Notice No. 56, dated May 8, 2019

Connection diagram



Pin assignment



Sensing distance diagram

