

## Overview

- emitter
- through beam sensor
- 10 m
- pulsed red LED
- connector M8 4 pin
- -25 ... 60 °C
- IP 67



Picture similar



## Technical data

### General data

Type	Through beam sensor
Emitter / receiver	Emitter
Light source	Pulsed red LED
Actual range Sb	10 m
Nominal range Sn	15 m
Power on indication	LED green
Wave length	645 nm
Alignment optical axis	< 2°

### Electrical data

Voltage supply range +Vs	10 ... 30 VDC
Current consumption max. (no load)	40 mA
Current consumption typ.	30 mA

### Electrical data

Reverse polarity protection	Yes
-----------------------------	-----

### Mechanical data

Width / diameter	12.9 mm
Height / length	32.3 mm
Depth	23 mm
Type	Rectangular
Housing material	Plastic (ASA, PMMA)
Front (optics)	PMMA
Connection types	Connector M8 4 pin

### Ambient conditions

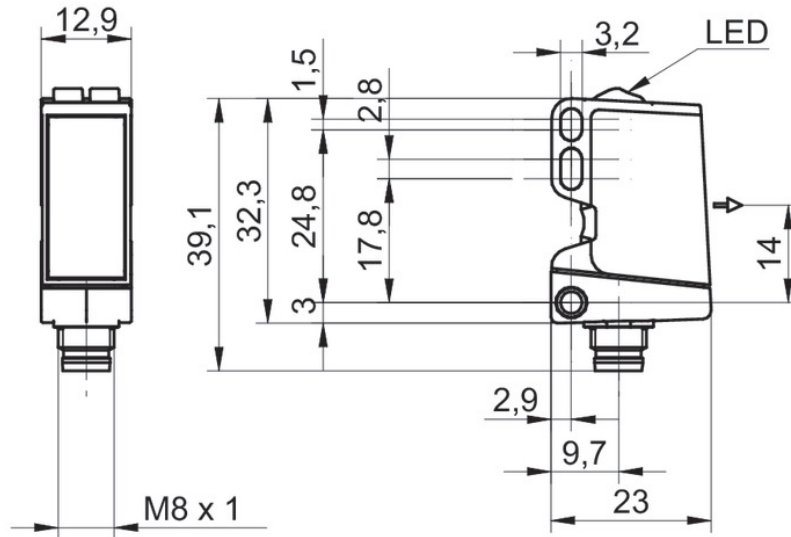
Operating temperature	-25 ... +60 °C
Protection class	IP 67

# O300.TR-ZZZZ.72N

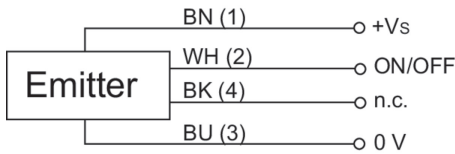
Through beam sensors - miniature

Article number: 11128022

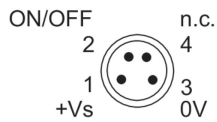
## Technical drawings



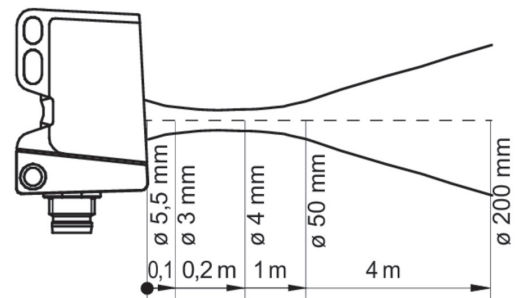
## Connection diagram



## Pin assignment



## Beam characteristic (typically)



## Excess gain curve

