

Overview

- emitter
- through beam sensor
- 40 m
- pulsed red laser diode
- connector M8 4 pin
- -10 ... 60 °C
- IP 67



Picture similar



Technical data

General data

| | |
|------------------------|------------------------|
| Type | Through beam sensor |
| Emitter / receiver | Emitter |
| Light source | Pulsed red laser diode |
| Actual range Sb | 40 m |
| Nominal range Sn | 75 m |
| Power on indication | LED green |
| Laser class | 1 |
| Distance to focus | Parallel beam |
| Wave length | 656 nm |
| Alignment optical axis | < 2° |

Electrical data

| | |
|------------------------------------|---------------|
| Voltage supply range +Vs | 11 ... 30 VDC |
| Current consumption max. (no load) | 30 mA |

Electrical data

| | |
|-----------------------------|-------|
| Current consumption typ. | 25 mA |
| Reverse polarity protection | Yes |

Mechanical data

| | |
|------------------|---------------------|
| Width / diameter | 12.9 mm |
| Height / length | 32.3 mm |
| Depth | 23 mm |
| Type | Rectangular |
| Housing material | Plastic (ASA, PMMA) |
| Front (optics) | PMMA |
| Connection types | Connector M8 4 pin |

Ambient conditions

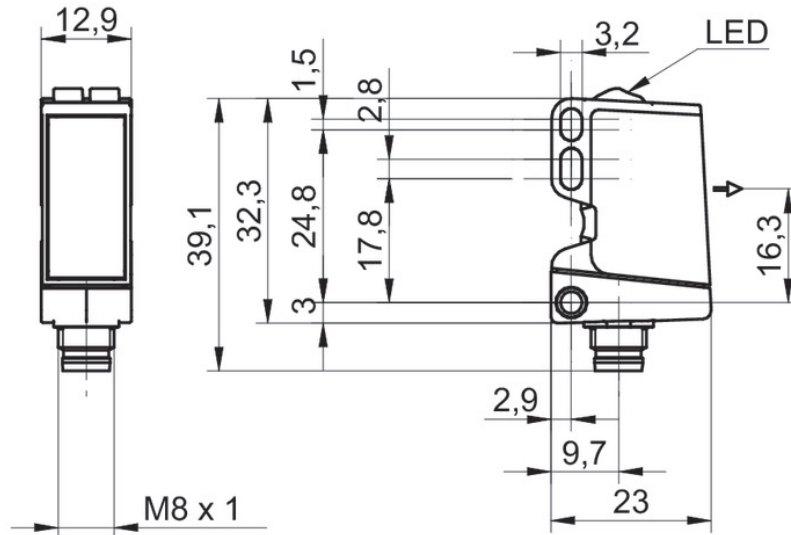
| | |
|-----------------------|----------------|
| Operating temperature | -10 ... +60 °C |
| Protection class | IP 67 |

O300.TL-ZZZZ.72N

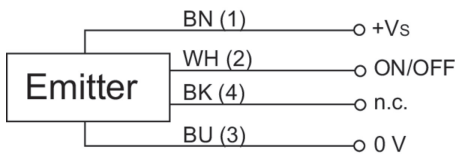
Through beam sensors - miniature

Article number: 11176845

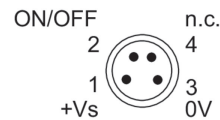
Technical drawings



Connection diagram



Pin assignment

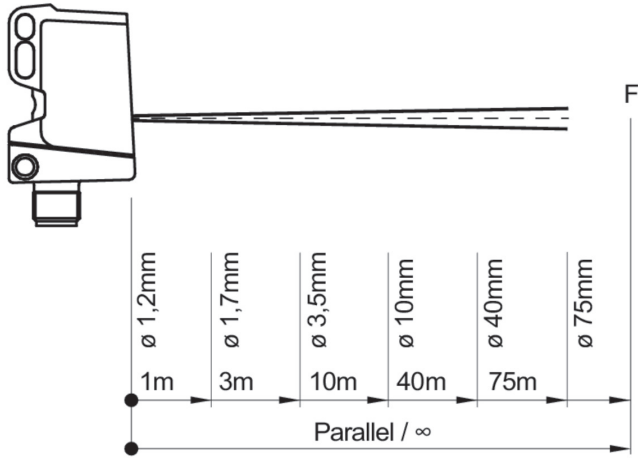


Laser warning

**CLASS 1 LASER
PRODUCT**

IEC 60825-1/2014
Complies with 21 CFR 1040.10 and
1040.11 except for conformance with
IEC 60825-1 Ed. 3., as described in
Laser Notice No. 56, dated May 8, 2019

Beam characteristic (typically)



Excess gain curve

