

Overview

- emitter
- through beam sensor
- 10 m
- pulsed infrared LED
- connector M8 4 pin
- -25 ... 60 °C
- IP 67



Picture similar



Technical data

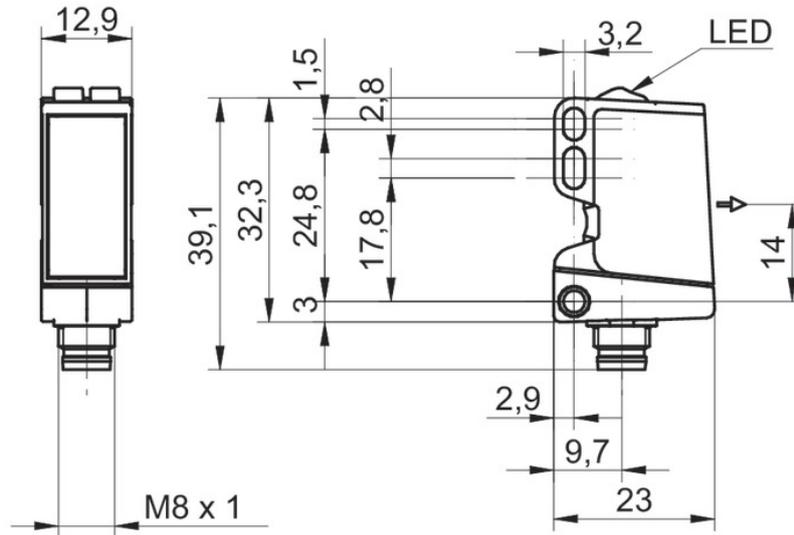
General data		Electrical data	
Type	Through beam sensor	Reverse polarity protection	Yes
Emitter / receiver	Emitter	Mechanical data	
Light source	Pulsed infrared diode	Width / diameter	12.9 mm
Actual range Sb	10 m	Height / length	32.3 mm
Nominal range Sn	15 m	Depth	23 mm
Power on indication	LED green	Design	Rectangular
Wave length	850 nm	Housing material	Plastic (ASA, PMMA)
Alignment optical axis	< 2°	Front (optics)	PMMA
Electrical data		Connection types	Connector M8 4 pin
Voltage supply range +Vs	10 ... 30 VDC	Ambient conditions	
Current consumption max. (no load)	40 mA	Operating temperature	-25 ... +60 °C
Current consumption typ.	30 mA	Protection class	IP 67

O300.TI-ZZZZ.72N

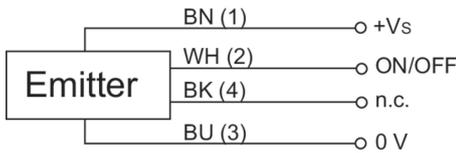
Through beam sensors - miniature

Article number: 11209573

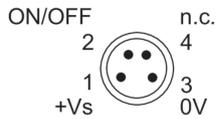
Technical drawings



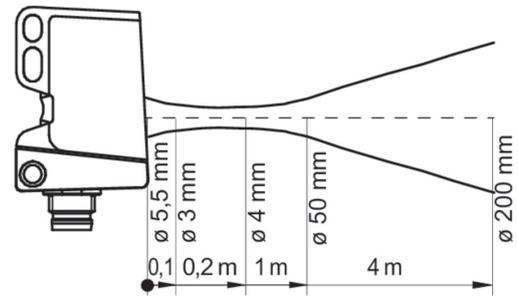
Connection diagram



Pin assignment



Beam characteristic (typically)



Excess gain curve

