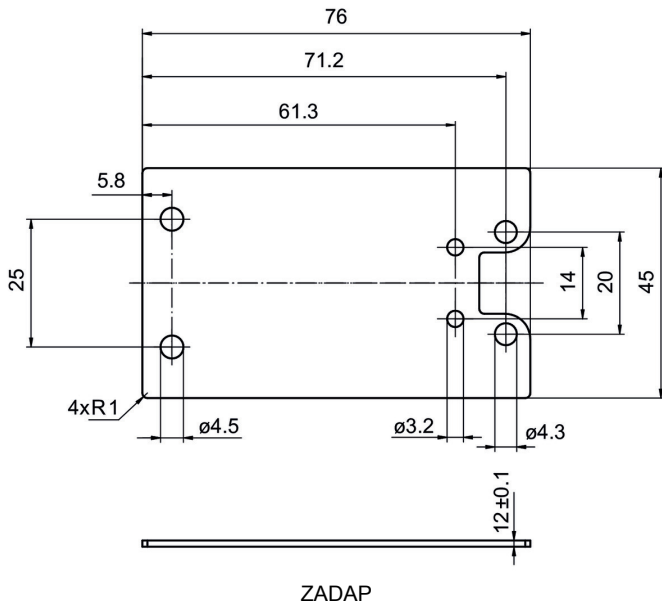


Overview

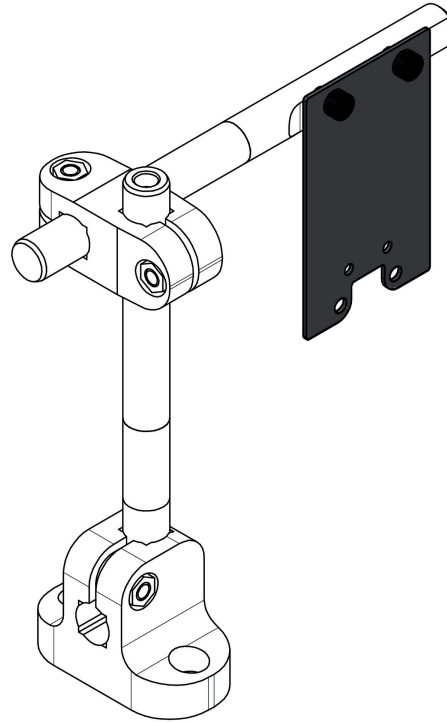
- Material: Steel
- Part of an assembly



Dimension drawing



Dimension drawing



Assembly drawing