

ITD22H00

Through hollow shaft $\varnothing 10$ to $\varnothing 14$ mm
1024, 2048 sinewave cycles per turn

Overview

- Robust industry standard
- Wide operating temperature range
- Up to 2048 sinewaves cycles per turn
- Sine output signals 1 Vpp
- LowHarmonics® signal quality
- Detachable cable – tangential outlet
- Perfect control quality at all rotational speeds



Picture similar

Technical data

Technical data - electrical ratings

Voltage supply	5 VDC ± 10 % 8...30 VDC
Reverse polarity protection	Yes
Consumption w/o load	≤ 100 mA
Sinewave cycles per revolution	1024 ... 2048
Sensing method	Optical
Output frequency	≤ 180 kHz (-3 dB)
Output signals	A, B, 0
Output stages	SinCos 1 Vpp
Interference immunity	EN 61000-6-2
Emitted interference	EN 61000-6-3

Technical data - mechanical design

Size (flange)	$\varnothing 58$ mm
---------------	---------------------

Technical data - mechanical design

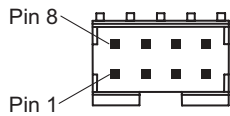
Shaft type	$\varnothing 10$ mm (through hollow shaft) $\varnothing 12$ mm (through hollow shaft) $\varnothing 14$ mm (through hollow shaft)
Protection EN 60529	IP 65
Operating speed	≤ 6000 rpm
Starting torque	≤ 0.015 Nm (+20 °C)
Material	Housing: aluminium Shaft: stainless steel
Operating temperature	-30...+100 °C
Relative humidity	90 % non-condensing
Resistance	EN 60068-2-6 Vibration 20 g, 60-2000 Hz EN 60068-2-27 Shock 100 g, 6 ms
Connection	Board connector, 8-pin
Weight approx.	150 g

ITD22H00

Through hollow shaft $\varnothing 10$ to $\varnothing 14$ mm
1024, 2048 sinewave cycles per turn

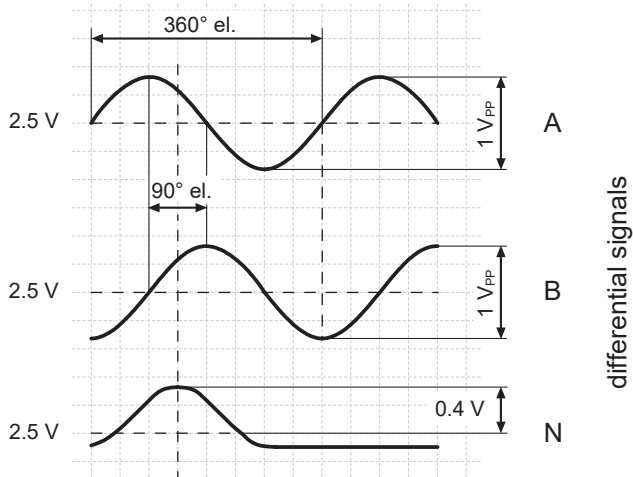
Terminal assignment

Connector	Assignment
Pin 1	UB
Pin 2	GND
Pin 3	Track A +
Pin 4	Track A -
Pin 5	Track B +
Pin 6	Track B -
Pin 7	Track N +
Pin 8	Track N -



Output signals

Clockwise rotation when looking at the mounting side.



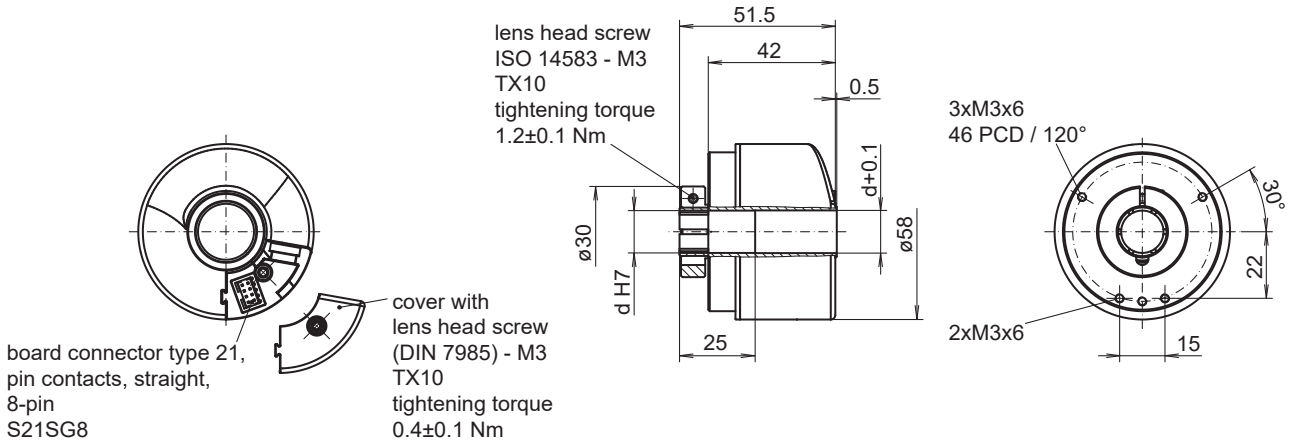
Output signal level

Outputs	Sine
Output amplitude A + B	1 V _{PP} at Z ₀ = 120 Ω
Output amplitude N	approx. 0,4 V (useable part) at Z ₀ = 120 Ω

ITD22H00

Through hollow shaft $\varnothing 10$ to $\varnothing 14$ mm
1024, 2048 sinewave cycles per turn

Dimensions



ITD22H00

 Through hollow shaft $\varnothing 10$ to $\varnothing 14$ mm
 1024, 2048 sinewave cycles per turn

Ordering reference

	ITD22H00	#####	###	NI	S21SG8	E	##	65	021
Product	ITD22H00								
Sinewave cycles/turn									
1024		1024							
2048		2048							
Voltage supply									
UB= 5 VDC $\pm 10\%$ / sine 1 Vpp				M					
UB= 8...30 VDC / sine 1 Vpp				S					
Output signal sine									
A+, A-, B+, B-, N+, N-				NI					
Connection									
Board connector type 21, pin contacts, straight, 8-pin					S21SG8				
Operating temperature									
-30...+100 °C						E			
Through hollow shaft									
$\varnothing 10$ mm, clamping ring, A-side								10	
$\varnothing 12$ mm, clamping ring, A-side								12	
$\varnothing 14$ mm, clamping ring, A-side								14	
Protection class									
IP65									65
Mounting kit									
1-arm, pitch circle diameter 65.5...281 mm, mounting M4, cut to length									021

Accessories

Mounting accessories

11066080	Torque arm, 1-arm (mounting kit 002)
11066083	Torque arm, 1-arm (mounting kit 006)
11073114	Torque arm, 3-armed (mounting kit 019)
11073119	Torque arm, 1-arm (mounting kit 021)
11069239	Torque arm, 1-arm (mounting kit 092)
11116921	Insulating sleeve $\varnothing 10$ mm/ $\varnothing 12$ mm/25 mm long
11116923	Insulating sleeve $\varnothing 12$ mm/ $\varnothing 14$ mm/25 mm long