

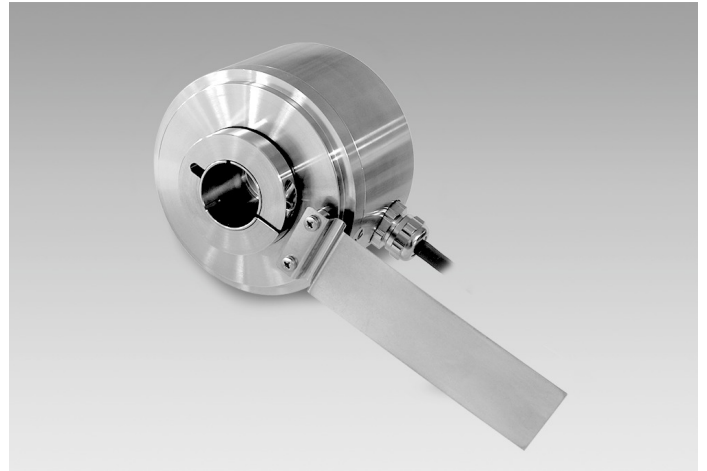
ITD 42 A 4 Y141

Blind hollow shaft $\varnothing 20$ to $\varnothing 27$ mm

1024, 2048 sinewave cycles per turn

Overview

- Encoder with blind hollow shaft $\varnothing 20 \dots 27$ mm
- Up to 2048 sinewaves cycles per turn
- Sine output signals 1 Vpp
- Stainless steel design (1.4305)
- Mounting by torque support
- Cable output radial



Technical data

Technical data - electrical ratings

Voltage supply	5 VDC ± 10 % 8...30 VDC
Reverse polarity protection	Yes
Consumption w/o load	≤ 90 mA
Sinewave cycles per revolution	1024 ... 2048
Sensing method	Optical
Output frequency	≤ 180 kHz (-3 dB)
Output signals	A, B, 0
Output stages	SinCos 1 Vpp

Technical data - mechanical design

Size (flange)	$\varnothing 89$ mm
Shaft type	$\varnothing 20$ mm (blind hollow shaft) $\varnothing 27$ mm (blind hollow shaft) $\varnothing 25$ mm (blind hollow shaft) $\varnothing 22$ mm (blind hollow shaft)

Technical data - mechanical design

Mounting kit	081
Protection EN 60529	IP 66
Operating speed	≤ 2500 rpm
Starting torque	≤ 0.02 Nm (+20 °C)
Material	Housing: stainless steel Shaft: stainless steel
Operating temperature	-20...+85 °C
Relative humidity	90 % non-condensing
Resistance	EN 60068-2-6 Vibration 10 g, 55-2000 Hz EN 60068-2-27 Shock 30 g, 11 ms
Connection	Cable 1 m
Weight approx.	1850 g

Optional

- Cable with connector

ITD 42 A 4 Y141

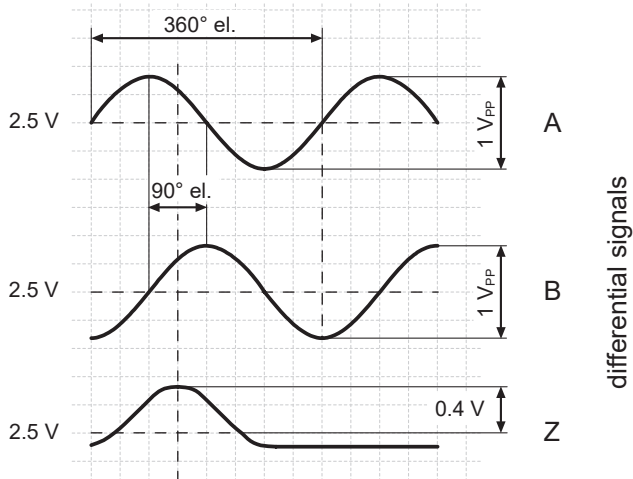
Blind hollow shaft $\varnothing 20$ to $\varnothing 27$ mm
1024, 2048 sinewave cycles per turn

Terminal assignment

Core colour	Assignment
green	Track A +
yellow	Track A -
grey	Track B +
pink	Track B -
brown	Track N +
white	Track N -
red	UB
blue	GND
violet	UB-Sense
black	GND-Sense
transparent	Shield/Housing

Output signals

Clockwise rotation when looking at the mounting side.



Output signal level

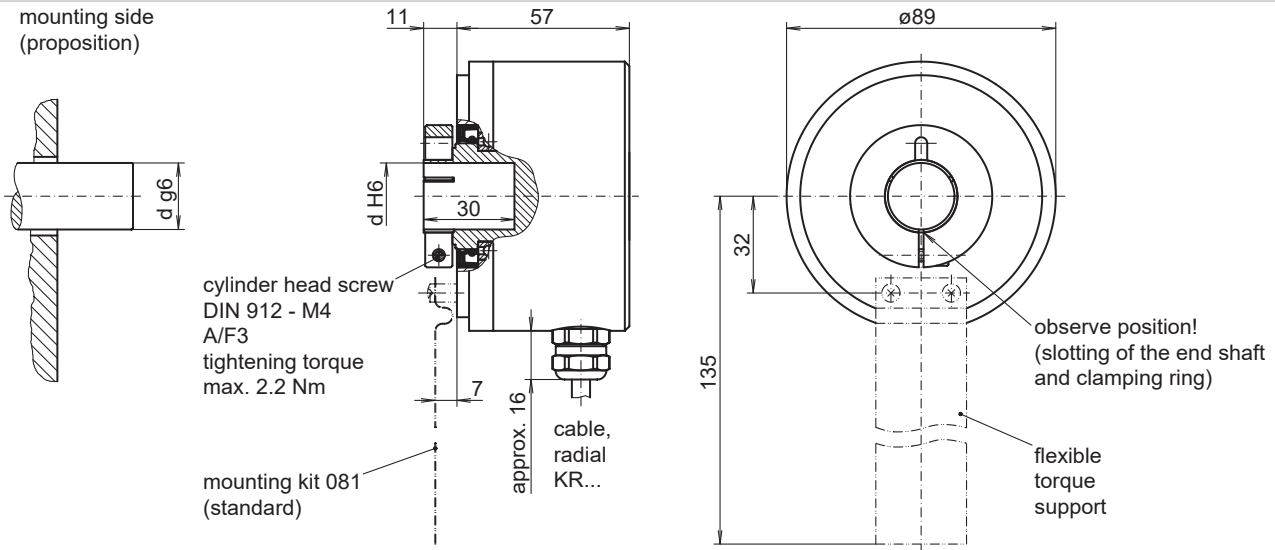
Outputs	Sine
Output amplitude A + B	1 V _{PP} at Z ₀ = 120 Ω
Output amplitude N	approx. 0,4 V (useable part) at Z ₀ = 120 Ω

ITD 42 A 4 Y141

Blind hollow shaft $\varnothing 20$ to $\varnothing 27$ mm

1024, 2048 sinewave cycles per turn

Dimensions



ITD 42 A 4 Y141

 Blind hollow shaft $\varnothing 20$ to $\varnothing 27$ mm

1024, 2048 sinewave cycles per turn

Ordering reference

	ITD 42 A 4 Y141	####	#	NI	KR1	S	##	IP66	081
Product	ITD 42 A 4 Y141								
Sinewave cycles									
1024		1024							
2048		2048							
Voltage supply / signals									
5 VDC / sine 1 Vpp				M					
8...30 VDC / sine 1 Vpp				S					
Output signals									
A, A inv, B, B inv, N, N inv				NI					
Connection									
Cable 1 m, radial					KR1				
Operating temperature									
-20...+85 °C						S			
Blind hollow shaft									
$\varnothing 20$ mm								20	
$\varnothing 22$ mm								22	
$\varnothing 25$ mm								25	
$\varnothing 27$ mm								27	
Protection									
IP 66								IP66	
Mounting kit									
Mounting kit 081									081