

## ITD 41 A 4 Y68

Through hollow shaft  $\varnothing 28$  to  $\varnothing 30$  mm

1024...10000 pulses per revolution

### Overview

- Encoder with through hollow shaft  $\varnothing 28$ ... $\varnothing 30$  mm
- Max. 10000 pulses per revolution
- Optical sensing method
- Mounting by torque support
- TTL or HTL output signals
- Cable output radial



### Technical data

#### Technical data - electrical ratings

Voltage supply	5 VDC $\pm 5\%$ 8...30 VDC
Reverse polarity protection	Yes
Consumption w/o load	$\leq 100$ mA
Pulses per revolution	1024 ... 10000
Reference signal	Zero pulse, width $90^\circ$
Sensing method	Optical
Output frequency	$\leq 300$ kHz (TTL) $\leq 160$ kHz (HTL)
Output signals	A, B, N + inverted
Output stages	TTL linedriver (short-circuit proof) HTL push-pull (short-circuit proof)
Interference immunity	DIN EN 61000-6-2
Emitted interference	DIN EN 61000-6-3

#### Technical data - mechanical design

Size (flange)	$\varnothing 80$ mm
---------------	---------------------

#### Technical data - mechanical design

Shaft type	$\varnothing 28$ ... $\varnothing 30$ mm (through hollow shaft)
Mounting kit	050
Protection DIN EN 60529	IP 65
Operating speed	$\leq 5000$ rpm $\leq 3000$ rpm IP 65 ( $>70^\circ\text{C}$ )
Starting torque	$\leq 0,01$ Nm ( $+20^\circ\text{C}$ )
Material	Housing: aluminium, black, powder-coated Shaft: stainless steel
Operating temperature	$-20$ ... $+70^\circ\text{C}$ $-20$ ... $+100^\circ\text{C}$
Relative humidity	90 % non-condensing
Resistance	DIN EN 60068-2-6 Vibration 10 g, 55-2000 Hz DIN EN 60068-2-27 Shock 30 g, 11 ms
Connection	Cable 1 m
Weight approx.	580 g

### Optional

- Cable with connector
- Extended operating temperature range

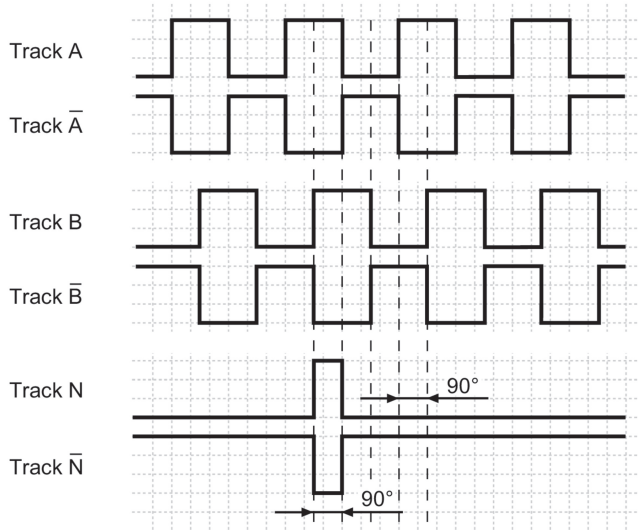
**Terminal assignment**

Core colour	Assignment
brown	Track A
green	Track A inv.
grey	Track B
pink	Track B inv.
red	Track N
black	Track N inv.
brown 0,5 mm <sup>2</sup>	UB
white 0,5 mm <sup>2</sup>	GND
blue	UB-Sense
white	GND-Sense
transparent	Shield/Housing

**Output signals**

Clockwise rotation when looking at the mounting side.

NI-Output signals



**Trigger level**

Outputs	Linedriver
Output level High	$\geq 2.4$ V
Output level Low	$\leq 0.5$ V
Load	$\leq 70$ mA

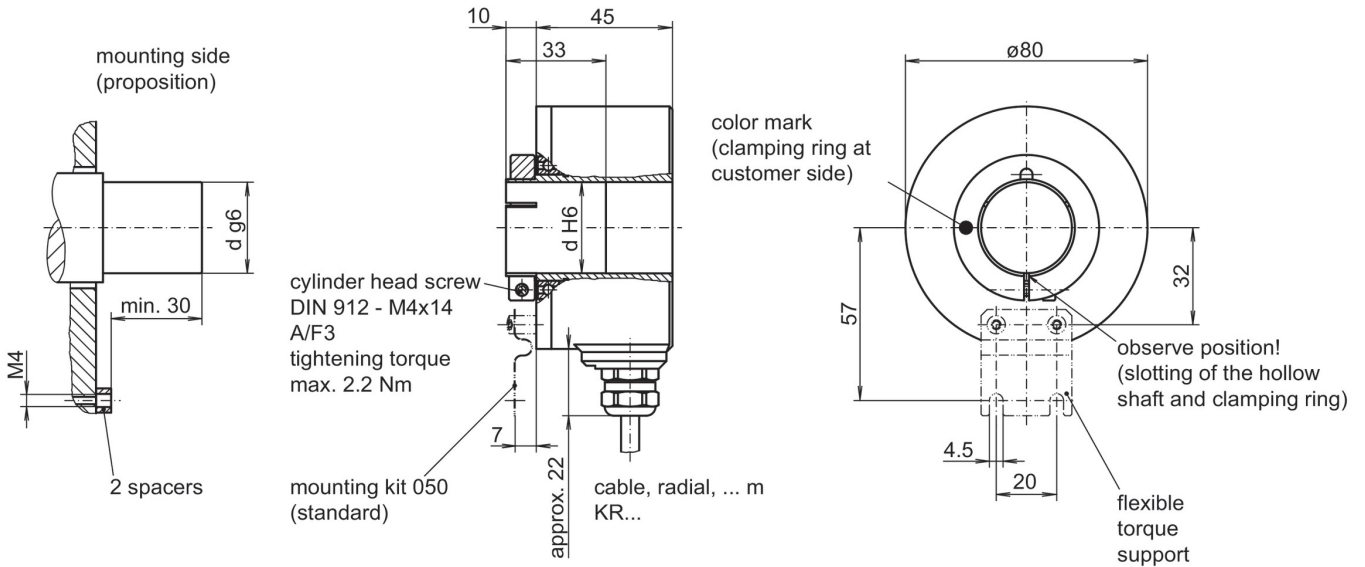
Outputs	Push-pull short-circuit proof
Output level High	$\geq UB - 3$ V
Output level Low	$\leq 1.5$ V
Load	$\leq 70$ mA

# ITD 41 A 4 Y68

Through hollow shaft  $\varnothing 28$  to  $\varnothing 30$  mm

1024...10000 pulses per revolution

## Dimensions



# ITD 41 A 4 Y68

 Through hollow shaft  $\varnothing 28$  to  $\varnothing 30$  mm

1024...10000 pulses per revolution

**Ordering reference**

		ITD 41 A 4 Y68	#####	#	NI	KR1	#	##	####	050
<b>Product</b>		ITD 41 A 4 Y68								
		ITD 41 A 4 Y68								
<b>Pulse number</b>										
	1024		1024							
	2000		2000							
	2048		2048							
	2500		2500							
	3072		3072							
	3600		3600							
	4096		4096							
	5000		5000							
	10000		10000							
<b>Voltage supply / signals</b>										
	5 VDC / TTL level, linedriver				T					
	8...30 VDC / HTL level, push-pull				H					
	8...30 VDC / TTL level, linedriver				R					
<b>Output signals</b>										
	A, A inv, B, B inv, N, N inv				NI					
<b>Connection</b>										
	Cable 1 m, radial					KR1				
<b>Operating temperature</b>										
	-20...+70 °C							S		
	-20...+100 °C							E		
<b>Through hollow shaft</b>										
	$\varnothing 28$ mm, clamping ring								28	
	$\varnothing 29$ mm, clamping ring								29	
	$\varnothing 30$ mm, clamping ring								30	
<b>Protection</b>										
	IP 54									IP54
	IP 65									IP65
<b>Mounting kit</b>										
	Mounting kit 050									050