

Overview

- 0 ... 18 mm
- current output
- external Teach-in
- connector M12
- -25 ... 75 °C
- IP 67



Picture similar



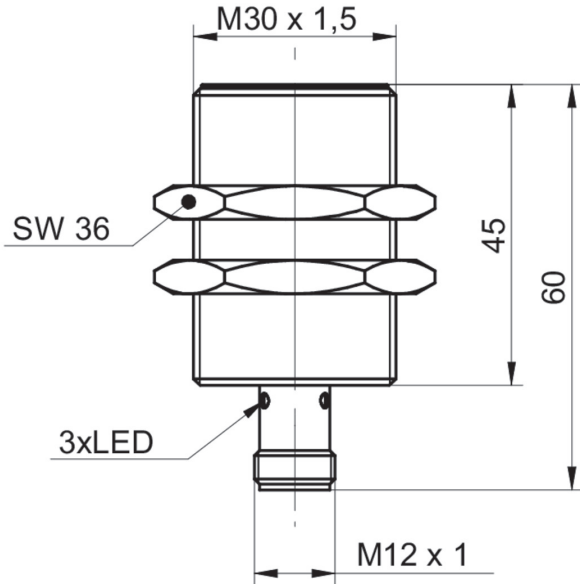
Technical data

General data		Electrical data	
Mounting type	Flush	Output circuit	Analog 4 ... 20 mA
Special type	Linearized	Load resistance	< 50 Ohm/V * Vs - 250 Ohm > 500 Ohm (Vs = 30 ... 36 VDC)
Measuring distance Sd	0 ... 18 mm	Short circuit protection	Yes
Sensitivity	0,89 mA/mm	Reverse polarity protection	Yes
Resolution	< 0.005 mm (stat.) < 0.01 mm (dynam.)	Mechanical data	
Repeat accuracy	0.02 mm	Design	Cylindrical threaded
Adjustment	External Teach-in	Material (sensing face)	PBT
Teach	1-point analog, 2-point analog, factory re-set	Housing material	Brass nickel plated
Linearity error	± 360 µm	Dimension	30 mm
Temperature drift	± 6 % (Full Scale)	Housing length	60 mm
Teach-Feedback	LED yellow	Connection types	Connector M12
Electrical data		Tightening torque max.	100 Nm
Response time (factory characteristic)	< 5 ms	Ambient conditions	
Voltage supply range +Vs	8 ... 36 VDC	Operating temperature	-25 ... +75 °C
Current consumption max. (no load)	20 mA	Protection class	IP 67

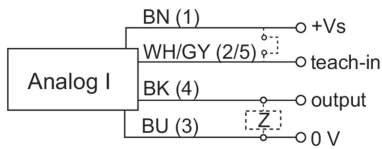
Remarks

- External Teach-in
- Linear analog output

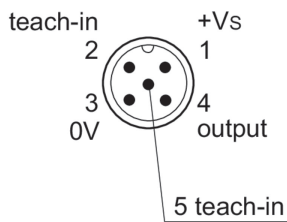
Dimension drawing



Connection diagram



Pin assignment



Accessories**Mounting accessories**

11200030	11200030
11199998	ZADAP-M30.STANDARD
11199999	ZADAP-M30.LONG
11707685	Mounting rod with mounting plate holder 200 mm
11707686	Mounting rod with mounting plate holder 300 mm
11707688	Mounting rod 200 mm
11707697	Mounting rod 250 mm
11707698	Mounting rod with mounting plate holder 250 mm
11707687	Mounting rod 300 mm
11707700	Mounting plate ø30 mm
11707702	Mounting base
11707703	Two-way connector