

**Overview**

- 0 ... 8 mm
- current output
- external Teach-in
- connector M12
- -25 ... 75 °C
- IP 67



Picture similar



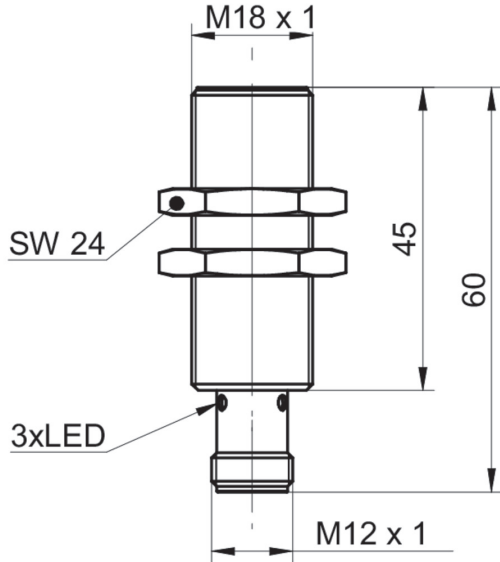
**Technical data**

General data		Electrical data	
Mounting type	Quasi-flush	Output circuit	Analog 4 ... 20 mA
Special type	Linearized	Load resistance	< 50 Ohm/V * Vs - 250 Ohm > 500 Ohm (Vs = 30 ... 36 VDC)
Measuring distance Sd	0 ... 8 mm	Short circuit protection	Yes
Sensitivity	2,0 mA/mm	Reverse polarity protection	Yes
Resolution	< 0.002 mm (stat.) < 0.006 mm (dynam.)	Mechanical data	
Repeat accuracy	0.015 mm	Design	Cylindrical threaded
Adjustment	External Teach-in	Material (sensing face)	PBT
Teach	1-point analog, 2-point analog, factory re-set	Housing material	Brass nickel plated
Linearity error	± 32 µm	Dimension	18 mm
Temperature drift	± 4 % (Full Scale)	Housing length	60 mm
Teach-Feedback	LED yellow	Connection types	Connector M12
Electrical data		Tightening torque max.	40 Nm
Response time (factory characteristic)	< 1 ms	Ambient conditions	
Voltage supply range +Vs	12 ... 36 VDC	Operating temperature	-25 ... +75 °C
Current consumption max. (no load)	20 mA	Protection class	IP 67

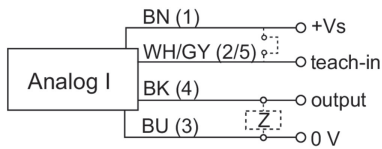
**Remarks**

- External Teach-in
- Linear analog output

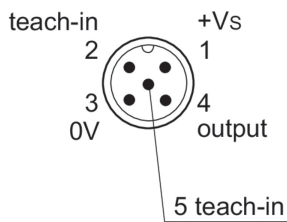
**Dimension drawing**



**Connection diagram**



**Pin assignment**



**Accessories****Mounting accessories**

10151658	Sensofix series 18
11172096	ZADAP-M18.STANDARD
11171584	ZADAP-M18.SHORT
11172095	ZADAP-M18.LONG
11707685	Mounting rod with mounting plate holder 200 mm
11707686	Mounting rod with mounting plate holder 300 mm
11707688	Mounting rod 200 mm
11707697	Mounting rod 250 mm
11707698	Mounting rod with mounting plate holder 250 mm
11707687	Mounting rod 300 mm
11707699	Mounting plate series 500 and $\varnothing$ 18 mm
11707702	Mounting base
11707703	Two-way connector