

**Overview**

- 0 ... 6 mm
- voltage output / PNP
- external Teach-in
- connector M12
- -25 ... 75 °C (Vs = 12 ... 30 VDC)
- -25 ... 60 °C (Vs = 12 ... 36 VDC)
- IP 67



Picture similar



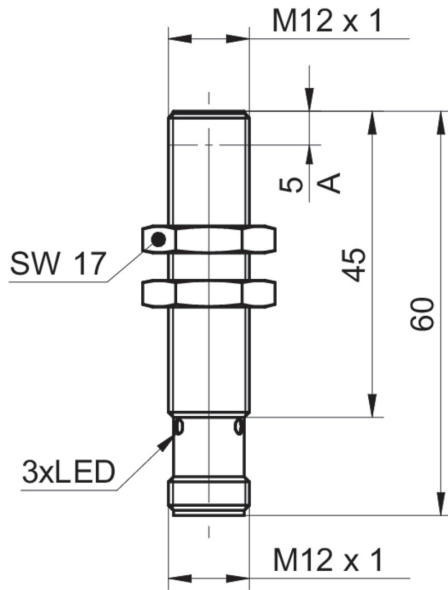
**Technical data**

General data		Electrical data	
Mounting type	Quasi-flush	Voltage supply range +Vs	12 ... 36 VDC
Special type	2 adjust. switching points Linearized	Current consumption max. (no load)	15 mA
Measuring distance Sd	0 ... 6 mm	Output circuit	Analog 0 ... 10 VDC PNP
Sensitivity	1,67 V/mm	Load resistance	> 4000 Ohm
Resolution	< 0.003 mm (stat.) < 0.005 mm (dynam., S = 0 ... 4 mm) < 0.022 mm (dynam., S = 0 ... 6 mm)	Output current	100 mA (PNP)
Repeat accuracy	0.01 mm	Short circuit protection	Yes
Adjustment	External Teach-in	Reverse polarity protection	Yes
Teach	1-point analog, window digital, factory re-set	Mechanical data	
Linearity error	± 25 µm (S = 0 ... 4 mm) ± 60 µm (S = 0 ... 6 mm)	Design	Cylindrical threaded
Temperature drift	± 2 % (Full Scale: S = 0 ... 4 mm) ± 5 % (Full Scale: S = 0 ... 6 mm)	Material (sensing face)	PBT
Output indicator	LED red	Housing material	Brass nickel plated
Teach-Feedback	LED yellow	Dimension	12 mm
Electrical data		Housing length	60 mm
Response time (factory characteristic)	< 1 ms	Connection types	Connector M12
		Tightening torque max.	15 Nm (A: 10 Nm)
		Ambient conditions	
		Operating temperature	-25 ... +75 °C (Vs = 12 ... 30 VDC) -25 ... +60 °C (Vs = 12 ... 36 VDC)
		Protection class	IP 67

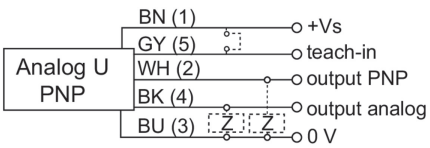
**Remarks**

- External Teach-in
- Integrated analog- and switching output
- Linear analog output

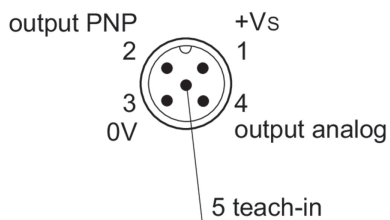
**Dimension drawing**



**Connection diagram**



**Pin assignment**



**Accessories****Mounting accessories**

10151720	Sensofix series 12 round
11707685	Mounting rod with mounting plate holder 200 mm
11707686	Mounting rod with mounting plate holder 300 mm
11707688	Mounting rod 200 mm
11707697	Mounting rod 250 mm
11707698	Mounting rod with mounting plate holder 250 mm
11707687	Mounting rod 300 mm
11707701	Mounting plate series 300 and $\varnothing$ 12 mm
11707702	Mounting base
11707703	Two-way connector