

IR12.D03K-F60.IA1E.7FO/B015

Inductive distance sensors - high sensitivity

Article number: 11158152

Overview

- 2,75 ... 3 mm
- current output
- external Teach-in
- connector M12
- -10 ... 60 °C
- IP 67



Picture similar



Technical data

General data

Mounting type	Flush
Special type	Linearized High sensitivity
Measuring distance Sd	2.75 ... 3 mm
Sensitivity	64 mA/mm (Range: 0,25 mm)
Resolution	< 0.00025 mm (stat.) < 0.0005 mm (dynam.)
Repeat accuracy	0.001 mm
Adjustment	External Teach-in
Teach	1-point analog, factory reset
Linearity error	± 5 µm
Temperature drift	± 4 % (Full Scale: +10 ... +30 °C) ± 12 % (Full Scale: -10 ... +60 °C)
Teach-Feedback	LED yellow

Electrical data

Response time (factory characteristic)	< 3 ms
Voltage supply range +Vs	8 ... 30 VDC

Electrical data

Current consumption max. (no load)	15 mA
Output circuit	Analog 4 ... 20 mA
Load resistance	< 25 Ohm/V * Vs
Short circuit protection	Yes
Reverse polarity protection	Yes

Mechanical data

Design	Cylindrical threaded
Material (sensing face)	Ceramic
Housing material	Steel nickel plated
Dimension	12 mm
Housing length	60 mm
Connection types	Connector M12
Tightening torque max.	15 Nm

Ambient conditions

Operating temperature	-10 ... +60 °C
Protection class	IP 67

Remarks

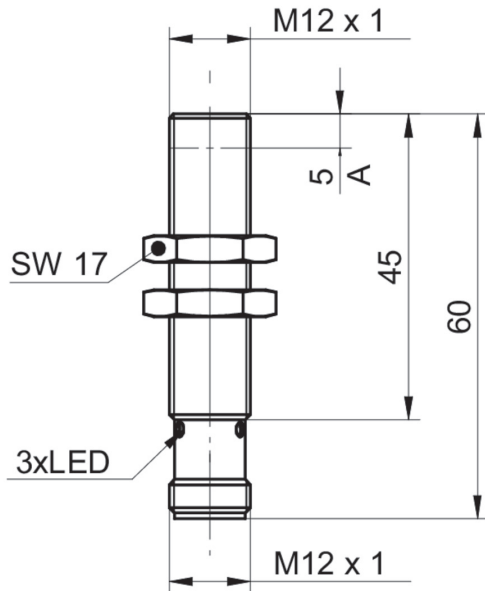
- Measuring range (0,25 mm) adjustable within 0 - 3 mm
- Linear analog output
- High sensitivity (other sensitivities on request)

IR12.D03K-F60.IA1E.7FO/B015

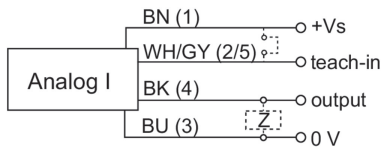
Inductive distance sensors - high sensitivity

Article number: 11158152

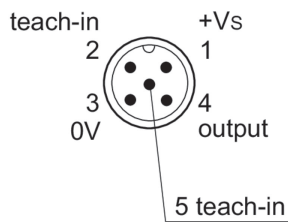
Dimension drawing



Connection diagram



Pin assignment



IR12.D03K-F60.IA1E.7FO/B015

Inductive distance sensors - high sensitivity

Article number: 11158152

Accessories**Mounting accessories**

10151720	Sensofix series 12 round
11707685	Mounting rod with mounting plate holder 200 mm
11707686	Mounting rod with mounting plate holder 300 mm
11707688	Mounting rod 200 mm
11707697	Mounting rod 250 mm
11707698	Mounting rod with mounting plate holder 250 mm
11707687	Mounting rod 300 mm
11707701	Mounting plate series 300 and \varnothing 12 mm
11707702	Mounting base
11707703	Two-way connector