

Overview

- Cylindrical standard housing for versatile use
- Lowest serial dispersion due to end-of-line calibration
- Robust even in demanding environments
- Temperature and long-term stable switching behavior



Picture similar



Technical data

General data

Mounting type	Flush
Nominal sensing distance Sn	2 mm
Assured sensing distance Sa	≤ 81 % of Sn
Real sensing distance Sr	± 10 % von Sn
Temperature drift	± 10 % of Sr
Hysteresis	3 ... 20 % of Sr
Output indicator	LED red
Correction factor typ.	Mild steel 100 %, stainless steel 65 %, aluminum 30 %, copper 25 %
Reference object	Fe360 8 x 8 x 1 mm

Electrical data

Switching frequency	5 kHz
Voltage supply range +Vs	6 ... 36 VDC
Current consumption max. (no load)	12 mA
Output circuit	PNP break function (NC)
Voltage drop Vd	<2 VDC
Output current	200 mA
Short circuit protection	Yes
Reverse polarity protection	Yes

Mechanical data

Design	Cylindrical threaded
Material (sensing face)	PBT

Mechanical data

Housing material	Stainless steel (V2A)
Dimension	8 mm
Housing length	40 mm
Connection types	Cable, L=2 m
Tightening torque max.	7 Nm

Ambient conditions

Operating temperature	-25 ... +75 °C
Storage temperature	-25 ... +75 °C
Protection class	IP 67
Vibration resistance	IEC 60068-2-6:2008 10 g at f = 10 - 2000 Hz, duration 150 min per axis
Shock resistance	IEC 60068-2-27:2009 100 g / 6 ms, 10 jolts per axis and direction

Safe maximum values

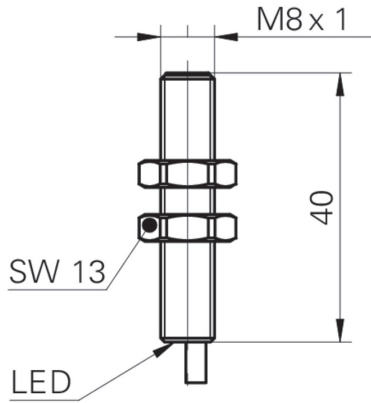
MTTF	2198 years
Diagnostic coverage (DC)	0 %

Cable

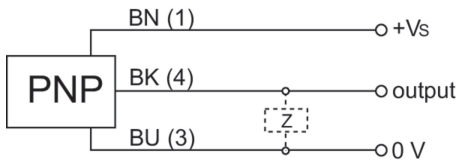
Cable length	200 cm
Shielded	No
External sheath: Material	PVC
Cable diameter	3.0 mm
Wire cross section	0.14 mm ²
Insulation: Material	PVC
Bending radius (fixed)	3 × outer diameter
Bending radius (mobile)	10 × outer diameter

2024-11-08 The product features and technical data specified do not express or imply any warranty. Technical modifications subject to change.

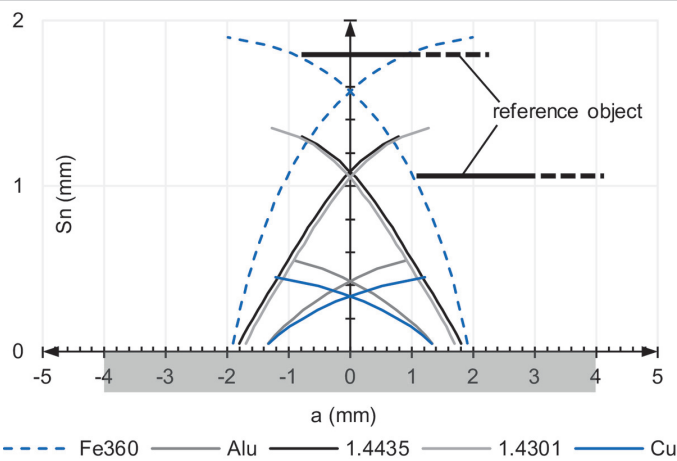
Dimension drawing



Connection diagram



Response diagram



Accessories

Mounting accessories

10151719 Sensofix series 08 round