

**Overview**

- Cylindrical standard housing for versatile use
- Factor 1 - Same high distances on any metal
- Lowest serial dispersion due to end-of-line calibration
- Robust even in demanding environments
- Temperature and long-term stable switching behavior



Picture similar



**Technical data**

General data		Mechanical data	
Mounting type	Flush	Material (sensing face)	PBT
Special type	Factor 1	Housing material	Stainless steel (V2A)
Nominal sensing distance Sn	2 mm	Dimension	8 mm
Assured sensing distance Sa	≤ 81 % of Sn	Housing length	40 mm
Real sensing distance Sr	± 10 % von Sn	Connection types	Cable, L=2 m
Temperature drift	± 10 % of Sr	Tightening torque max.	7 Nm
Hysteresis	3 ... 20 % of Sr	Weight	40 g
Output indicator	LED red	Ambient conditions	
Correction factor typ.	Mild steel 100 %, stainless steel 100 %, aluminum 100 %, copper 100 %	Operating temperature	-25 ... +75 °C
Reference object	Fe360 8 x 8 x 1 mm	Storage temperature	-25 ... +75 °C
Electrical data		Protection class	IP 67
Switching frequency	3 kHz	Vibration resistance	IEC 60068-2-6:2008 10 g at f = 10 - 2000 Hz, duration 150 min per axis
Voltage supply range +Vs	5 ... 36 VDC	Shock resistance	IEC 60068-2-27:2009 100 g / 6 ms, 10 jolts per axis and direction
Current consumption max. (no load)	12 mA	Safe maximum values	
Output circuit	PNP make function (NO)	MTTF	775 years
Voltage drop Vd	<2 VDC	Diagnostic coverage (DC)	0 %
Output current	200 mA	Cable	
Short circuit protection	Yes	Cable length	200 cm
Reverse polarity protection	Yes	Shielded	No
Mechanical data		External sheath: Material	PVC
Design	Cylindrical threaded	Cable diameter	3.0 mm
		Wire cross section	0.14 mm <sup>2</sup>
		Insulation: Material	PVC

# IR08.P02F-F40.PO1Z.7SCV

Inductive proximity switch - factor 1 - all metals

Article number: 11119428

## Technical data

### Cable

Bending radius (fixed) 3 × outer diameter

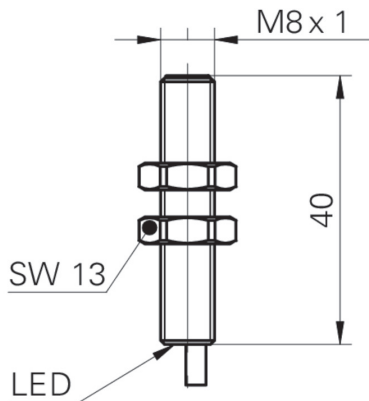
### Cable

Bending radius (mobile) 10 × outer diameter

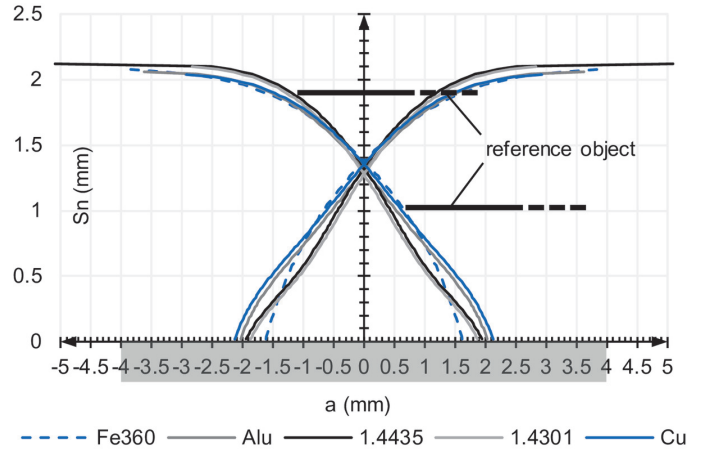
## Remarks

- Robust steel housings
- High switching frequency
- Same sensing distance on all metals (no reduction factor)

## Dimension drawing



## Response diagram



## Accessories

### Mounting accessories

10151719

Sensofix series 08 round

## Connection diagram

