

Overview

- Cylindrical standard housing for versatile use
- Factor 1 - Same high distances on any metal
- Lowest serial dispersion due to end-of-line calibration
- Robust even in demanding environments
- Temperature and long-term stable switching behavior



Picture similar



Technical data

General data

Mounting type	Flush
Special type	Factor 1
Nominal sensing distance Sn	2 mm
Assured sensing distance Sa	≤ 81 % of Sn
Real sensing distance Sr	± 10 % von Sn
Temperature drift	± 10 % of Sr
Hysteresis	3 ... 20 % of Sr
Output indicator	LED red
Correction factor typ.	Mild steel 100 %, stainless steel 100 %, aluminum 100 %, copper 100 %
Reference object	Fe360 8 x 8 x 1 mm

Electrical data

Switching frequency	3 kHz
Voltage supply range +Vs	5 ... 36 VDC
Current consumption max. (no load)	12 mA
Output circuit	NPN make function (NO)
Voltage drop Vd	<2 VDC
Output current	200 mA
Short circuit protection	Yes
Reverse polarity protection	Yes

Mechanical data

Design	Cylindrical threaded
--------	----------------------

Mechanical data

Material (sensing face)	PBT
Housing material	Stainless steel (V2A)
Dimension	8 mm
Housing length	40 mm
Connection types	Cable, L=2 m
Tightening torque max.	7 Nm
Weight	40 g

Ambient conditions

Operating temperature	-25 ... +75 °C
Storage temperature	-25 ... +75 °C
Protection class	IP 67
Vibration resistance	IEC 60068-2-6:2008 10 g at f = 10 - 2000 Hz, duration 150 min per axis
Shock resistance	IEC 60068-2-27:2009 100 g / 6 ms, 10 jolts per axis and direction

Safe maximum values

MTTF	775 years
Diagnostic coverage (DC)	0 %

Cable

Cable length	200 cm
Shielded	No
External sheath: Material	PVC
Cable diameter	3.0 mm
Wire cross section	0.14 mm ²
Insulation: Material	PVC

IR08.P02F-F40.NO1Z.7SCV

Inductive proximity switch - factor 1 - all metals

Article number: 11119429

Technical data

Cable

Bending radius (fixed) 3 × outer diameter

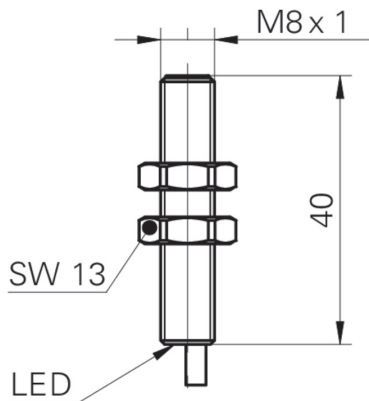
Cable

Bending radius (mobile) 10 × outer diameter

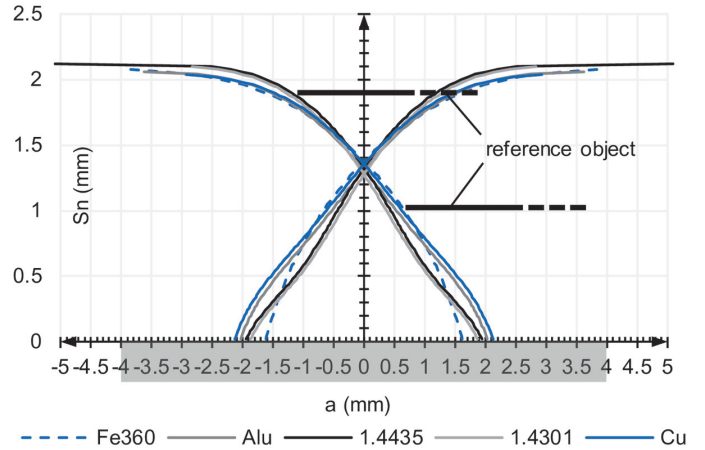
Remarks

- Robust steel housings
- High switching frequency
- Same sensing distance on all metals (no reduction factor)

Dimension drawing



Response diagram



Accessories

Mounting accessories

10151719

Sensofix series 08 round

Connection diagram

