

IFRW 12P1501/S14L

Inductive sensors special versions - weld magnetic field immune

Article number: 10236111

Overview

- 2 mm
- PNP make function (NO)
- connector M12
- -25 ... 75 °C
- IP 67



Picture similar



Technical data

General data

Mounting type	Flush
Special type	Welding and magnetic noise
Nominal sensing distance S _n	2 mm
Hysteresis	3 ... 20 % of S _r
Output indicator	3 port LED red

Electrical data

Switching frequency	< 1 kHz
Voltage supply range +V _s	10 ... 30 VDC
Current consumption max. (no load)	10 mA
Output circuit	PNP make function (NO)
Voltage drop V _d	< 1 VDC

Electrical data

Output current	< 250 mA
Short circuit protection	Yes
Reverse polarity protection	Yes

Mechanical data

Type	Cylindrical threaded
Material (sensing face)	PTFE coated
Housing material	Brass chromium plated
Dimension	12 mm
Housing length	50 mm
Connection types	Connector M12

Ambient conditions

Operating temperature	-25 ... +75 °C
Protection class	IP 67

Remarks

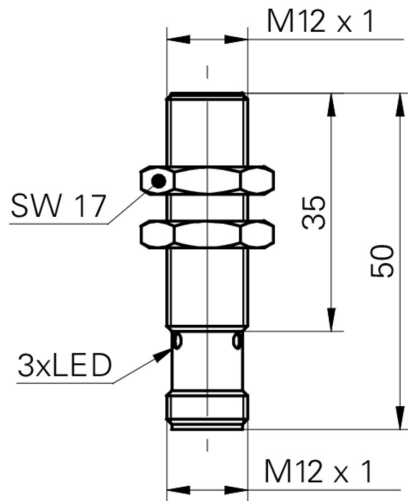
- Immune to welding and magnetic noise of up to 90 mT

IFRW 12P1501/S14L

Inductive sensors special versions - weld magnetic field immune

Article number: 10236111

Dimension drawing



Connection diagram

