

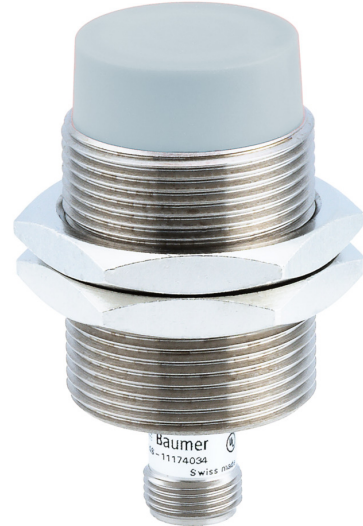
IFRM 30P3101/S14L

Inductive proximity switch - standard

Article number: 10229770

Overview

- 15 mm
- PNP break function (NC)
- connector M12
- -25 ... 75 °C
- IP 67



Picture similar



Technical data

General data

Mounting type	Non-flush
Nominal sensing distance S _n	15 mm
Hysteresis	3 ... 20 % of S _r
Output indicator	4 port LED red

Electrical data

Switching frequency	500 Hz
Voltage supply range +V _s	10 ... 50 VDC
Current consumption max. (no load)	10 mA
Output circuit	PNP break function (NC)
Voltage drop V _d	< 3 VDC
Output current	< 200 mA

Electrical data

Short circuit protection	Yes
Reverse polarity protection	Yes

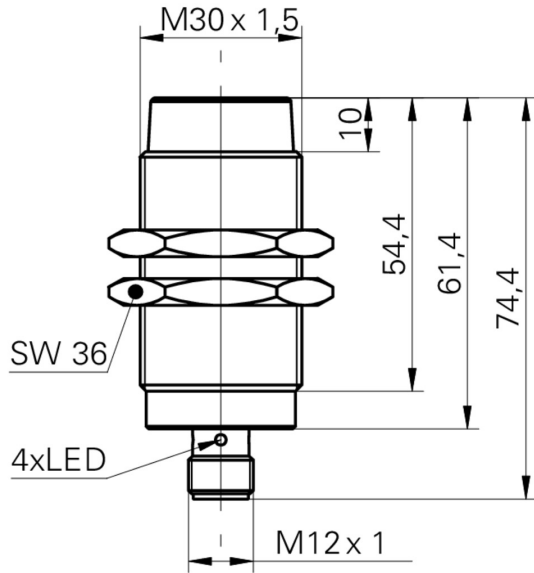
Mechanical data

Type	Cylindrical threaded
Material (sensing face)	PBT
Housing material	Brass nickel plated
Dimension	30 mm
Housing length	74.4 mm
Connection types	Connector M12
Tightening torque max.	200 Nm (Front: 140 Nm)

Ambient conditions

Operating temperature	-25 ... +75 °C
Protection class	IP 67

Dimension drawing



Connection diagram

