

Overview

- 8 mm
- PNP make function (NO)
- cable, 2 m
- -25 ... 75 °C
- IP 67



Picture similar



Technical data

General data

| | |
|--|------------------------------|
| Mounting type | Quasi-flush |
| Nominal sensing distance S _n | 8 mm |
| Hysteresis | 3 ... 20 % of S _r |
| Output indicator | LED red |

Electrical data

| | |
|---------------------------------------|------------------------|
| Switching frequency | 500 Hz |
| Voltage supply range +V _s | 6 ... 36 VDC |
| Current consumption max. (no load) | 10 mA |
| Output circuit | PNP make function (NO) |
| Voltage drop V _d | < 2 VDC |
| Output current | < 200 mA |

Electrical data

| | |
|-----------------------------|-----|
| Short circuit protection | Yes |
| Reverse polarity protection | Yes |

Mechanical data

| | |
|-------------------------|----------------------|
| Type | Cylindrical threaded |
| Material (sensing face) | PBT |
| Housing material | Brass nickel plated |
| Dimension | 18 mm |
| Housing length | 35 mm |
| Connection types | Cable, L=2 m |
| Tightening torque max. | 40 Nm |

Ambient conditions

| | |
|-----------------------|----------------|
| Operating temperature | -25 ... +75 °C |
| Protection class | IP 67 |

Remarks

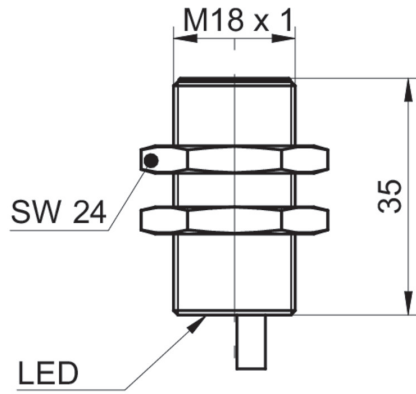
- Not for flush mounting in mild steel

IFRM 18P17A5/L

Inductive proximity switch - standard

Article number: 11078677

Dimension drawing



Connection diagram

