

### Overview

- 8 mm
- PNP make function (NO)
- connector M12
- -25 ... 75 °C
- IP 67



Picture similar



### Technical data

#### General data

Mounting type Quasi-flush

Nominal sensing distance  
S<sub>n</sub> 8 mm

Hysteresis 3 ... 20 % of S<sub>r</sub>

Output indicator 3 port LED red

#### Electrical data

Switching frequency 500 Hz

Voltage supply range +V<sub>s</sub> 6 ... 36 VDC

Current consumption max.  
(no load) 10 mA

Output circuit PNP make function (NO)

Voltage drop V<sub>d</sub> < 2 VDC

Output current < 200 mA

#### Electrical data

Short circuit protection Yes

Reverse polarity protection Yes

#### Mechanical data

Type Cylindrical threaded

Material (sensing face) PBT

Housing material Brass nickel plated

Dimension 18 mm

Housing length 60 mm

Connection types Connector M12

Tightening torque max. 40 Nm

#### Ambient conditions

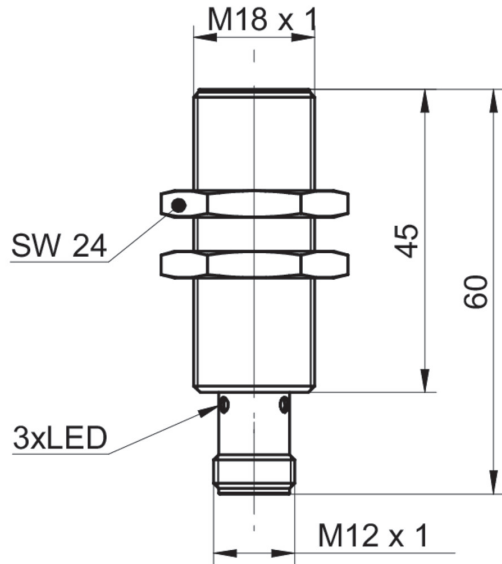
Operating temperature -25 ... +75 °C

Protection class IP 67

### Remarks

- Not for flush mounting in mild steel

**Dimension drawing**



**Connection diagram**

