

**Overview**

- 10mm for flush mount in St37
- NPN break function (NC)
- cable PUR 3 x 0,25, 2 m
- -40 ... 80 °C
- IP 67



Picture similar



**Technical data**

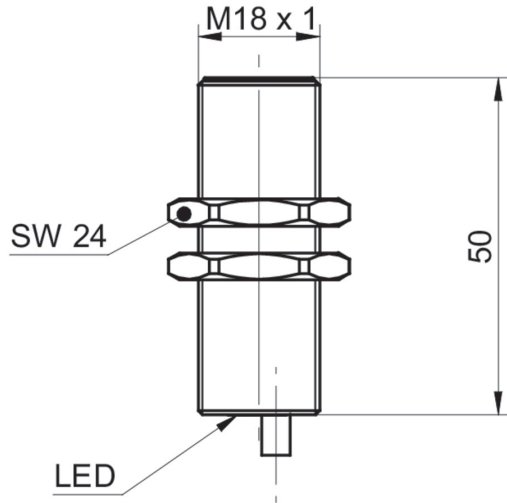
General data		Electrical data	
Mounting type	Flush	Short circuit protection	Yes
Special type	Outdoor design	Reverse polarity protection	Yes
Nominal sensing distance S <sub>n</sub>	10 mm	Mechanical data	
Hysteresis	2 ... 15 % of S <sub>r</sub>	Type	Cylindrical threaded
Output indicator	LED red	Material (sensing face)	PBT
Electrical data		Housing material	Brass nickel plated
Switching frequency	400 Hz	Dimension	18 mm
Voltage supply range +V <sub>s</sub>	6 ... 36 VDC	Housing length	50 mm
Current consumption max. (no load)	24 mA	Connection types	Cable PUR 3 x 0,25, 2 m
Output circuit	NPN break function (NC)	Tightening torque max.	40 Nm (Front: 28 Nm)
Voltage drop V <sub>d</sub>	< 2 VDC	Ambient conditions	
Output current	< 200 mA	Operating temperature	-40 ... +80 °C
		Protection class	IP 67

# IFRM 18N37M1/PL

Inductive proximity switch - outdoor

Article number: 11013680

## Dimension drawing



## Connection diagram

