

IFRM 12P1701/S14L

Inductive proximity switch - standard

Article number: 10214930

Overview

- 4 mm
- PNP make function (NO)
- connector M12
- -25 ... 75 °C
- IP 67



Picture similar



Technical data

General data

| | |
|--|------------------------------|
| Mounting type | Flush |
| Nominal sensing distance S _n | 4 mm |
| Hysteresis | 3 ... 20 % of S _r |
| Output indicator | 3 port LED red |

Electrical data

| | |
|---------------------------------------|------------------------|
| Switching frequency | 2 kHz |
| Voltage supply range +V _s | 6 ... 36 VDC |
| Current consumption max. (no load) | 10 mA |
| Output circuit | PNP make function (NO) |
| Voltage drop V _d | < 2 VDC |
| Output current | < 200 mA |

Electrical data

| | |
|-----------------------------|-----|
| Short circuit protection | Yes |
| Reverse polarity protection | Yes |

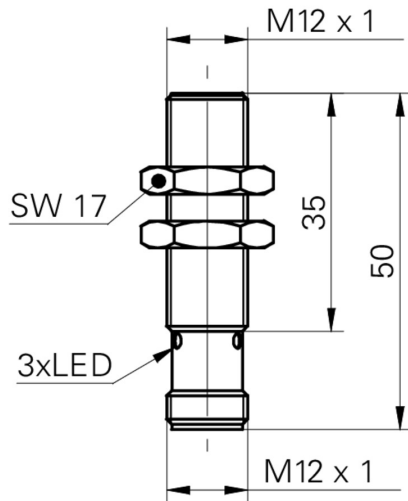
Mechanical data

| | |
|-------------------------|----------------------|
| Type | Cylindrical threaded |
| Material (sensing face) | PBT |
| Housing material | Brass nickel plated |
| Dimension | 12 mm |
| Housing length | 50 mm |
| Connection types | Connector M12 |
| Tightening torque max. | 15 Nm (Front: 10 Nm) |

Ambient conditions

| | |
|-----------------------|----------------|
| Operating temperature | -25 ... +75 °C |
| Protection class | IP 67 |

Dimension drawing



Connection diagram

