

Overview

- 2 mm
- PNP break function (NC)
- connector M8
- -25 ... 75 °C
- IP 67



Picture similar



Technical data

General data		Electrical data	
Mounting type	Flush	Short circuit protection	Yes
Nominal sensing distance Sn	2 mm	Reverse polarity protection	Yes
Hysteresis	3 ... 20 % of Sr	Mechanical data	
Output indicator	3 port LED red	Type	Cylindrical smooth
Electrical data		Material (sensing face)	PBT
Switching frequency	5 kHz	Housing material	Stainless steel
Voltage supply range +Vs	6 ... 36 VDC	Dimension	6.5 mm
Current consumption max. (no load)	12 mA	Housing length	36 mm
Output circuit	PNP break function (NC)	Connection types	Connector M8
Voltage drop Vd	< 2 VDC	Ambient conditions	
Output current	< 200 mA	Operating temperature	-25 ... +75 °C
		Protection class	IP 67

Remarks

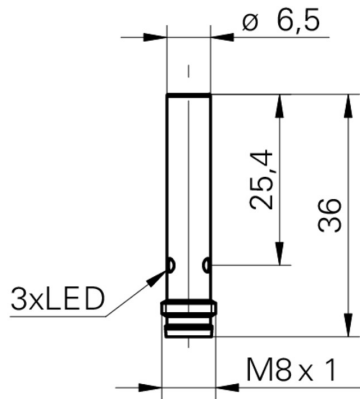
- Robust steel housings
- High switching frequency

IFRM 06P37A3/S35L

Inductive proximity switch - miniature

Article number: 10140588

Dimension drawing



Connection diagram

