

Overview

- 1 mm
- NPN make function (NO)
- connector M8
- -25 ... 75 °C
- IP 67



Picture similar



Technical data

General data

| | |
|--|------------------------------|
| Mounting type | Flush |
| Nominal sensing distance S _n | 1 mm |
| Hysteresis | 2 ... 20 % of S _r |
| Output indicator | 3 port LED red |

Electrical data

| | |
|---------------------------------------|------------------------|
| Switching frequency | 5 kHz |
| Voltage supply range +V _s | 6 ... 30 VDC |
| Current consumption max. (no load) | 12 mA |
| Output circuit | NPN make function (NO) |
| Voltage drop V _d | < 2 VDC |
| Output current | < 200 mA |

Electrical data

| | |
|-----------------------------|-----|
| Short circuit protection | Yes |
| Reverse polarity protection | Yes |

Mechanical data

| | |
|-------------------------|--------------------|
| Type | Cylindrical smooth |
| Material (sensing face) | LCP |
| Housing material | Stainless steel |
| Dimension | 4 mm |
| Housing length | 36 mm |
| Connection types | Connector M8 |

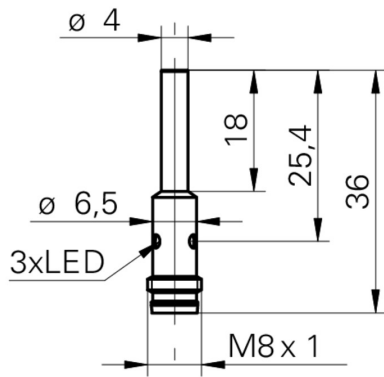
Ambient conditions

| | |
|-----------------------|----------------|
| Operating temperature | -25 ... +75 °C |
| Protection class | IP 67 |

Remarks

- M8 x 1 quick disconnect
- 3 port LED

Dimension drawing



Connection diagram

