

Overview

- 2 mm
- PNP make function (NO)
- cable, 2 m
- -25 ... 75 °C
- IP 67



Picture similar



Technical data

General data

Mounting type	Flush
Nominal sensing distance S _n	2 mm
Hysteresis	3 ... 20 % of S _r
Output indicator	LED red

Electrical data

Switching frequency	5 kHz
Voltage supply range +V _s	6 ... 36 VDC
Current consumption max. (no load)	12 mA
Output circuit	PNP make function (NO)
Voltage drop V _d	< 2 VDC
Output current	< 200 mA

Electrical data

Short circuit protection	Yes
Reverse polarity protection	Yes

Mechanical data

Type	Rectangular
Material (sensing face)	PBT
Housing material	Die-cast zinc nickel plated
Dimension	8 mm
Housing length	38.5 mm
Connection types	Cable, L=2 m

Ambient conditions

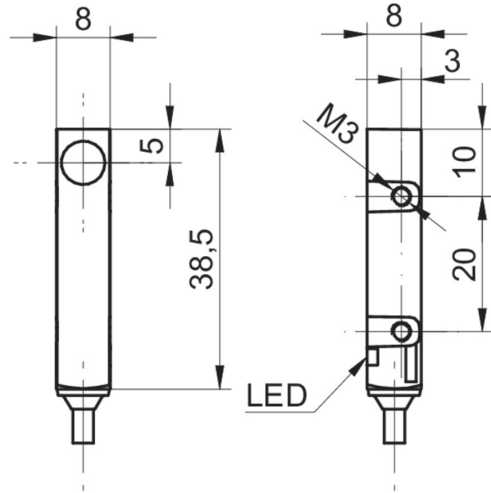
Operating temperature	-25 ... +75 °C
Protection class	IP 67

IFFM 08P1701/O1L

Inductive proximity switch - miniature

Article number: 10212310

Dimension drawing



Connection diagram

