

Overview

- 2 mm
- NPN make function (NO)
- connector M8
- -25 ... 75 °C
- IP 67



Picture similar



Technical data

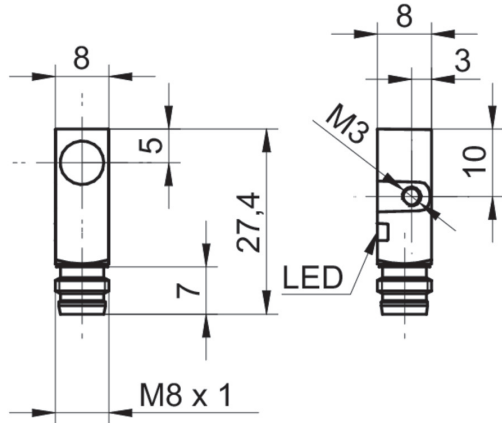
| General data | | Electrical data | |
|--|------------------------------|-----------------------------|-----------------------------|
| Mounting type | Flush | Short circuit protection | Yes |
| Nominal sensing distance S _n | 2 mm | Reverse polarity protection | Yes |
| Hysteresis | 3 ... 20 % of S _r | Mechanical data | |
| Output indicator | LED red | Type | Rectangular |
| Electrical data | | Material (sensing face) | PBT |
| Switching frequency | 5 kHz | Housing material | Die-cast zinc nickel plated |
| Voltage supply range +V _s | 6 ... 36 VDC | Dimension | 8 mm |
| Current consumption max. (no load) | 12 mA | Housing length | 27.4 mm |
| Output circuit | NPN make function (NO) | Connection types | Connector M8 |
| Voltage drop V _d | < 2 VDC | Ambient conditions | |
| Output current | < 200 mA | Operating temperature | -25 ... +75 °C |
| | | Protection class | IP 67 |

IFFM 08N17A5/O1S35L

Inductive proximity switch - subminiature

Article number: 10160245

Dimension drawing



Connection diagram

