

Overview

- Rectangular miniature sensor for tight spaces
- Lowest serial dispersion due to end-of-line calibration
- Robust even in demanding environments
- Temperature and long-term stable switching behavior



Picture similar

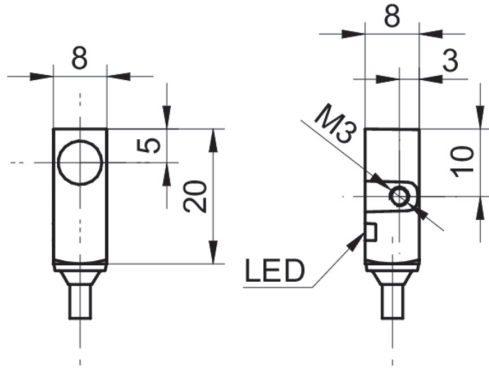


Technical data

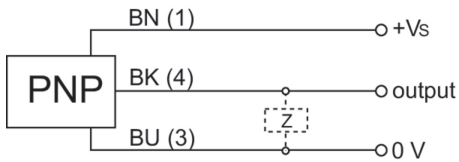
General data		Mechanical data	
Mounting type	Flush	Housing material	Die-cast zinc nickel plated
Nominal sensing distance Sn	2 mm	Dimension	8 mm
Assured sensing distance Sa	≤ 81 % of Sn	Housing length	20 mm
Real sensing distance Sr	± 10 % von Sn	Connection types	Cable, L=2 m
Temperature drift	± 10 % of Sr	Tightening torque max.	0.8 Nm
Hysteresis	3 ... 20 % of Sr	Ambient conditions	
Output indicator	LED red	Operating temperature	-25 ... +75 °C
Correction factor typ.	Mild steel 100 %, stainless steel 75 %, aluminum 50 %, copper 45 %	Storage temperature	-25 ... +75 °C
Reference object	Fe360 8 x 8 x 1 mm	Protection class	IP 67
Electrical data		Vibration resistance	IEC 60068-2-6:2008 10 g at f = 10 - 2000 Hz, duration 150 min per axis
Switching frequency	5 kHz	Shock resistance	IEC 60068-2-27:2009 100 g / 6 ms, 10 jolts per axis and direction
Voltage supply range +Vs	6 ... 36 VDC	Safe maximum values	
Current consumption max. (no load)	12 mA	MTTF	3361 years
Output circuit	PNP break function (NC)	Diagnostic coverage (DC)	0 %
Voltage drop Vd	<2 VDC	Cable	
Output current	200 mA	Cable length	200 cm
Short circuit protection	Yes	Shielded	No
Reverse polarity protection	Yes	External sheath: Material	PVC
Mechanical data		Cable diameter	3.0 mm
Design	Rectangular	Wire cross section	0.14 mm ²
Material (sensing face)	PBT	Insulation: Material	PVC
		Bending radius (fixed)	3 × outer diameter
		Bending radius (mobile)	10 × outer diameter

The product features and technical data specified do not express or imply any warranty. Technical modifications subject to change.

Dimension drawing



Connection diagram



Response diagram

