

Housing base set A VCXG.I r IP65/67 HA

Article number: 11207845

Overview

- Hard anodized cylindric housing corpus for VCXG.I cameras for modular housing to meet Parma and Food & Beverage applications requirements
- optional tube extension with Tube Module 6mm (11185376), Tube Module 12 mm (11185375) or Tube Module 36 mm (11198906).
- thread: M62
- length 56 mm



Picture similar

Technical data

Mechanical data

External diameter	65 mm
Weight	≤ 266 g
Thread	M62 × 0,75

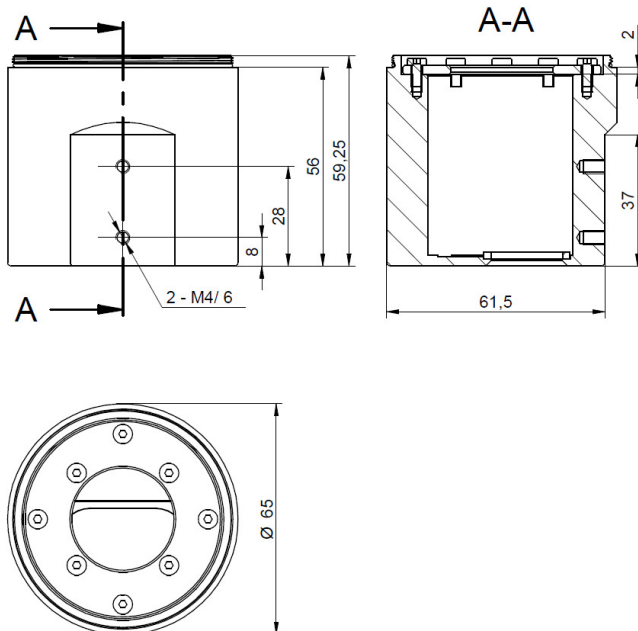
Mechanical data

Length of tube	56 mm
Material	aluminum, hard-anodized

Environmental conditions

Operating temperature	-40 ... +70 °C
-----------------------	----------------

Dimension drawing



Principle

