



microGen
Energy Harvesting

Operating Manual

HMG10 & HMG10P PROFINET
Absolute Encoder

EN-US

List of contents

| | | |
|----------|--|-----------|
| 1 | About this document | 4 |
| 1.1 | Purpose | 4 |
| 1.2 | Warnings in this manual | 4 |
| 1.3 | Labels in this manual | 4 |
| 1.4 | Disclaimer | 5 |
| 1.5 | Scope of delivery | 5 |
| 1.6 | Name plate | 5 |
| 1.7 | Maintenance and service life | 5 |
| 1.8 | Approvals and warranty | 6 |
| 1.9 | Temperature range for operation and storage | 6 |
| 2 | General information | 7 |
| 3 | Transport and storage | 8 |
| 3.1 | Transport | 8 |
| 3.2 | Delivery inspection | 8 |
| 3.3 | Storage | 8 |
| 4 | Description | 9 |
| 4.1 | Rotary encoder | 9 |
| 4.2 | Mounting accessories (not included) | 10 |
| 4.3 | Tools required | 11 |
| 5 | Installation | 12 |
| 5.1 | Positioning the support plate | 12 |
| 5.2 | Attaching the torque arm to the device | 14 |
| 5.3 | Blind hollow shaft encoder installation | 15 |
| 5.4 | Mounting the encoder to cone shaft | 17 |
| 5.5 | Hollow shaft mount | 19 |
| 5.6 | Mounting the torque arm at drive | 22 |
| 5.6.1 | HMG10 installation versus HOG10 | 23 |
| 5.7 | Avoiding and calculating angular errors | 25 |
| 6 | Electrical installation | 26 |
| 6.1 | PROFINET | 26 |
| 6.1.1 | PROFINET Features | 26 |
| 6.1.2 | Pin assignment PROFINET | 27 |
| 6.1.2.1 | Mating connector (4-pin, A-coded) | 27 |
| 6.1.2.2 | Mating connector (4-contact D-coded) | 28 |
| 6.2 | Terminal box | 28 |
| 6.2.1 | Pin assignment at terminal box | 28 |
| 6.2.2 | Output signals additional incremental output (optional) | 29 |
| 6.2.3 | Switching level additional output incremental (optional) | 29 |
| 6.2.4 | Programming interface (only for programmable variant) | 29 |

| | | |
|----------|---|-----------|
| 6.2.5 | LED activity indicator | 29 |
| 6.2.6 | Output switching behavior Speed switch (optional) | 30 |
| 6.2.7 | Connecting the supply cable..... | 30 |
| 6.2.8 | Pin assignment | 32 |
| 6.3 | Sensor cable | 33 |
| 6.4 | Z-PA.SDL.1 WLAN adapter: Programming device for HMG10P/PMG10P | 33 |
| 7 | Disassembly | 34 |
| 7.1 | Removing the encoder from blind hollow shafts or cone shafts..... | 35 |
| 7.1.1 | Loosen fastening aids provided at the blind hollow shaft | 35 |
| 7.1.2 | Threaded pin to secure at blind hollow shaft | 36 |
| 7.1.3 | Detaching the encoder from blind hollow shafts | 37 |
| 7.2 | Detaching the encoder from through-hollow shaft | 38 |
| 8 | Technical data | 39 |
| 8.1 | Blind-hollow shaft dimensions..... | 40 |
| 8.2 | Through hollow shaft dimensions..... | 41 |
| 8.3 | Cone shaft dimensions..... | 41 |

1 About this document

1.1 Purpose

This operating manual (subsequently referred to as *manual*) allows the safe and efficient handling of the product .

The manual does not provide instructions on operating the machine in which the product is integrated. Information on this is found in the operating manual of the machine.

The manual is a constituent part of the product. It must be kept in the immediate vicinity of the product and must be accessible to personnel at all times.



Personnel must have carefully read and understood this manual before beginning any work. The basic prerequisite for safe working is compliance with all safety instructions and handling instructions given in this manual.

In addition, the local occupational health and safety regulations and general safety regulations apply.

The illustrations in this manual are examples only. Deviations are at the discretion of Baumer at all times.

1.2 Warnings in this manual

Warnings draw attention to potential personal injury or material damage. The warnings in this manual indicate different hazard levels:

| Symbol | Warning term | Explanation |
|---|----------------|---|
|  | DANGER | Indicates imminent danger entailing a high risk of death or serious personal injury if not being avoided. |
| | WARNING | Indicates a possible danger entailing medium risk of death or (serious) personal injury if not being avoided. |
| | CAUTION | Indicates a danger with low risk, which could lead to light or medium injury if not avoided. |
|  | NOTE | Indicates a warning of material damage. |
| | INFO | Indicates practical information and tips that enable optimal use of the devices. |

1.3 Labels in this manual

| Identifier | Use | Example |
|-----------------------|--|---|
| Dialog element | Indicates dialog elements. | Click the OK button. |
| Unique name | Indicates the names of products, files, etc. | <i>Internet Explorer</i> is not supported in any version. |
| Code | Indicates entries. | Enter the following IP address: 192.168.0.250 |

1.4 Disclaimer

The manufacturer is not liable for personal injury and/or property damage resulting from improper use of the device.

1.5 Scope of delivery

The scope of delivery includes:

- 1 x rotary encoder
- 1 x instruction manual
- 1 x General information leaflet

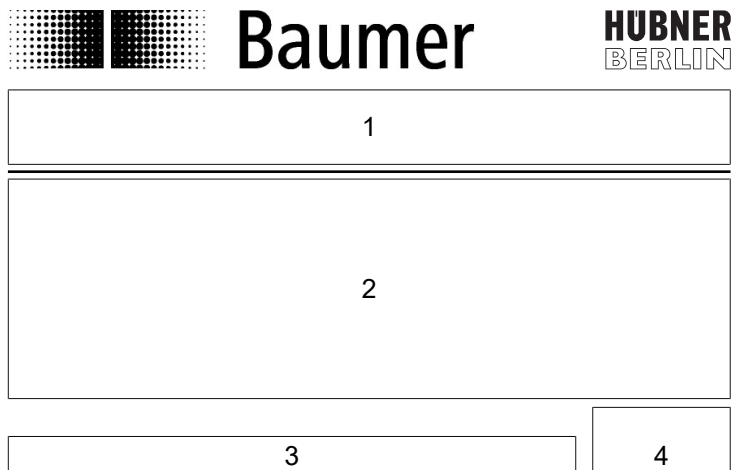
In addition, you can find the following information, among other things, in digital format at www.baumer.com:

- Data sheet
- Web interface manual
- Manual PROFINET
- 3D CAD drawing
- GSDML file for PROFINET connection
- Certificates (EU conformity declaration, Fieldbus certificate, etc.)

Also see about this

 [Mounting accessories \(not included\) \[▶ 10\]](#)

1.6 Name plate



| | | | |
|---|---|---|--|
| 1 | Product name, product code, material number | 2 | Serial number, technical data, MAC address |
| 3 | Baumer Website | 4 | Labels |

1.7 Maintenance and service life

The device may only be opened for assembly and maintenance work as described in the present instruction manual. Any repair or maintenance work requiring fully opening the device must be carried out by the manufacturer only.

Do not perform any modifications at the device.

The expected service life of the device depends on the ball bearings featuring permanent lubrication.

For any queries or subsequent deliveries refer to the product data specified on the device label, in particular type and serial number.

1.8 Approvals and warranty

Declaration of conformity according to the prevailing country-specific directives.

We grant a 2-year warranty in line with the conditions of the German Electrical and Electronic Manufacturers' Association (ZVEI).

INFO

warranty seal

Any breaking of the seal provided at the device will result in loss of warranty.

1.9 Temperature range for operation and storage

The storage temperature of the device ranges from -15 ... +70 °C

The device operating temperature range ranges between -40 ... +85 °C, measured at housing.

2 General information

Intended use

This product is a precision device and serves the detection of items, objects, or physical measurement variables and the preparation or provision of measured values as electric variables for the higher-level system.

Unless specifically labeled, this product may not be used in explosive environments.

Commissioning

Assembly, installation, and calibration of this product may only be performed by a specialist.

Installation

Only use the fasteners and fastener accessories intended for this product for installation. Outputs not in use must not be wired. Unused wires of cable outputs must be insulated. Do not go below the permissible cable bending radii. Disconnect the system from power before the product is electrically connected. Use shielded cables to prevent electro-magnetic interference. If the customer assembles plug connections on shielded cables, then EMC-version plug connections should be used and the cable shield must be connected to the plug housing across a large surface area.

Disposal (environmental protection)



Used electrical and electronic devices may not be disposed of in household waste. The product contains valuable raw materials that can be recycled. Therefore dispose of this product at the appropriate collection point. For additional information visit www.baumer.com.

3 Transport and storage

3.1 Transport

NOTICE

Material damage due to improper transport.

- a) Ensure maximum diligence when unloading the delivered packages as well as when transporting them inside the company.
- b) Note the information and symbols on the packaging.
- c) Only remove packaging immediately before mounting.

3.2 Delivery inspection

Upon receipt immediately inspect the delivery for completeness and transport damage.

Claim any defect as soon as it is detected. Damages can only be claimed within the applicable claims deadlines.

In case of externally visible transport damage, proceed as follows:

Instruction:

- a) Do not accept the delivery or only with reservations.
- b) Note the scope of the damage on the transport documents or the delivery slip of the carrier.
- c) Initiate the claim.

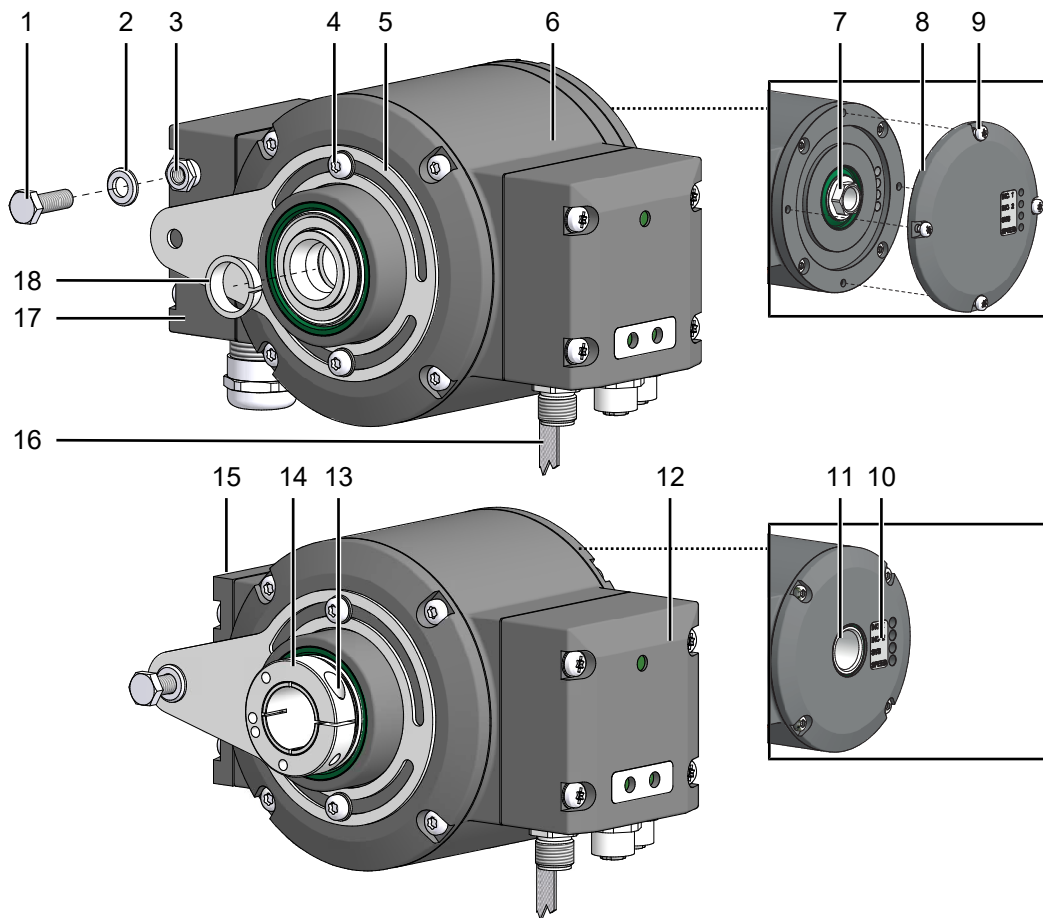
3.3 Storage

Store the product at the following conditions:

- Use the original packaging for storage.
- Do not store outdoors.
- Store dry and free from dust.
- Do not expose to aggressive media.
- Keep away from the sun.
- Avoid mechanical agitation.
- Storage temperature: -15 ... +70 °C..
- When storing for longer than 3 months, regularly check the general state of all parts and the packaging.

4 Description

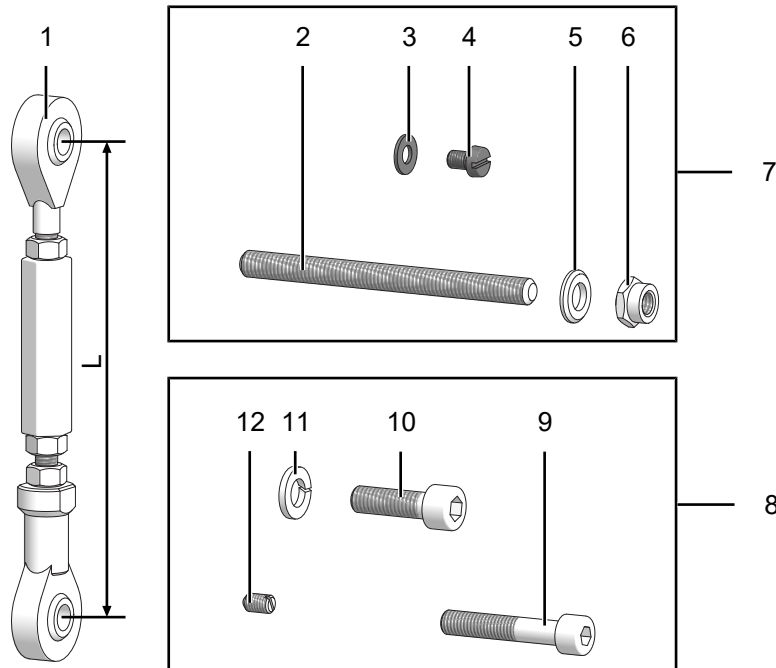
4.1 Rotary encoder



III. 1: Description HMG10

| | | | |
|----|--|----|---|
| 1 | Hexagon head screw M6x18 mm (ISO 4017) | 2 | Washer B6.4 (ISO 7090) |
| 3 | Self-locking nut M6 (ISO 10511) | 4 | Torx screw M4x10 mm, TX20 (ISO 14583) |
| 5 | Torque plate 360°, attachable in any position | 6 | Housing |
| 7 | Blind hollow shaft or cone shaft with wrench flat SW 17 mm | 8 | Cover |
| 9 | Torx/slotted head screw M4x10 mm (DIN 7964) | 10 | LED activity indicator |
| 11 | Through hollow shaft | 12 | PROFINET bus terminal box PROFINET bus terminal box |
| 13 | Torx screw M3x12 mm (ISO 7045) | 14 | Clamping ring |
| 15 | Blind cover (device without additional output, without speed switch and without programming interface) | 16 | Grounding strap, length approx. 230 mm |
| 17 | Additional incremental output (optional), speed switch (optional), programming interface (only HMG10P) | 18 | Clamping element, not for cone shaft |

4.2 Mounting accessories (not included)



III. 2: Mounting accessories





| | | | |
|----|--|----|--|
| 1 | Torque arm of length L (see table) | 2 | Threaded rod M6, variable length ≤ 210 mm |
| 3 | Washer B6.4 for grounding strap (ISO 7090) | 4 | Cheese-head screw M6x8 mm for grounding strap (ISO 1207) |
| 5 | Washer B6.4 (ISO 7090) | 6 | Self-locking nut M6 (ISO 10511) |
| 7 | Mounting set, order number 11077197 | 8 | Mounting/dismounting set, order number 11077087 |
| 9 | Cheese-head screw M8x45 mm (ISO 4762) | 10 | Cheese-head screw M6x30 mm (ISO 4762) |
| 11 | Spring washer 6 (DIN 7980) | 12 | Threaded pin M6x10 mm (ISO 7436) |

The torque arm is available in different versions:

| Torque arm | Order number |
|--|--------------|
| Standard | |
| 67 - 70 mm | 11043628 |
| 125 (±5) mm, may be shortened down to ≥ 71 mm | 11004078 |
| 440 (+20/15) mm, may be shortened down to ≥ 131 mm | 11002915 |
| Insulated | |
| 67 - 70 mm | 11054917 |
| 125 (±5) mm, may be shortened down to ≥ 71 mm | 11072795 |
| 440 (+20/15) mm, may be shortened down to ≥ 131 mm | 11082677 |

4.3

Tools required

-  3 mm, 5 mm, 6 mm
-  1,6×8 mm, 0,8×4 mm
-  10 mm (2×), 17 mm, 22 mm
-  10 mm, 20 mm

5 Installation

NOTICE

Equipment damage due to mechanical shock

Strong vibration may lead to overload by constraining force.

- a) Never apply force. If properly assembled, everything fits smoothly together.
- b) Use only suitable tools for disassembly (see chapter on disassembly).

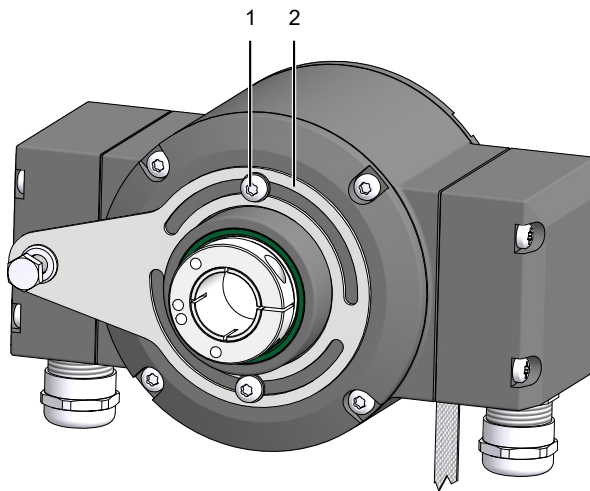
NOTICE

Equipment damage by adhering liquids

Sticky liquids may damage sensing unit and ball bearings. Disassembling a device which is stuck to the axis can lead to destruction.

- a) Do not use adhesive liquids to fasten the device.

5.1 Positioning the support plate



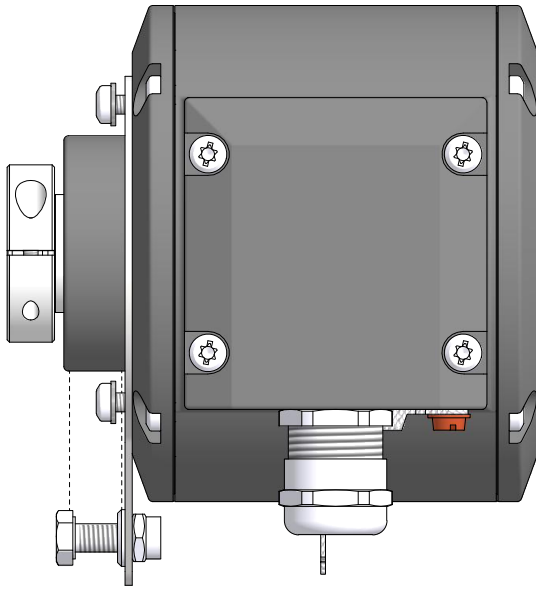
- | | | | |
|---|--------------------------------------|---|---|
| 1 | Torx screw M4x10 mm, TX20, ISO 14583 | 2 | Torque plate 360°, attachable in any position |
|---|--------------------------------------|---|---|

Tool

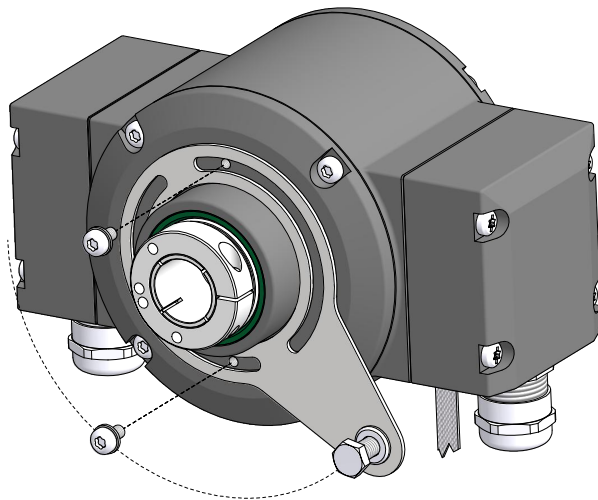
-  20 mm

Instruction:

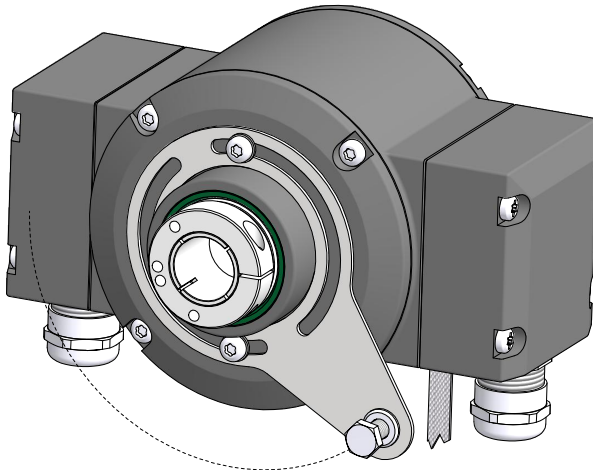
a) Loosen the Torx screws.



b) If required, you may remove the Torx screws completely for turning around the torque plate. Then carefully screw the Torx screws back in, but do not tighten already.

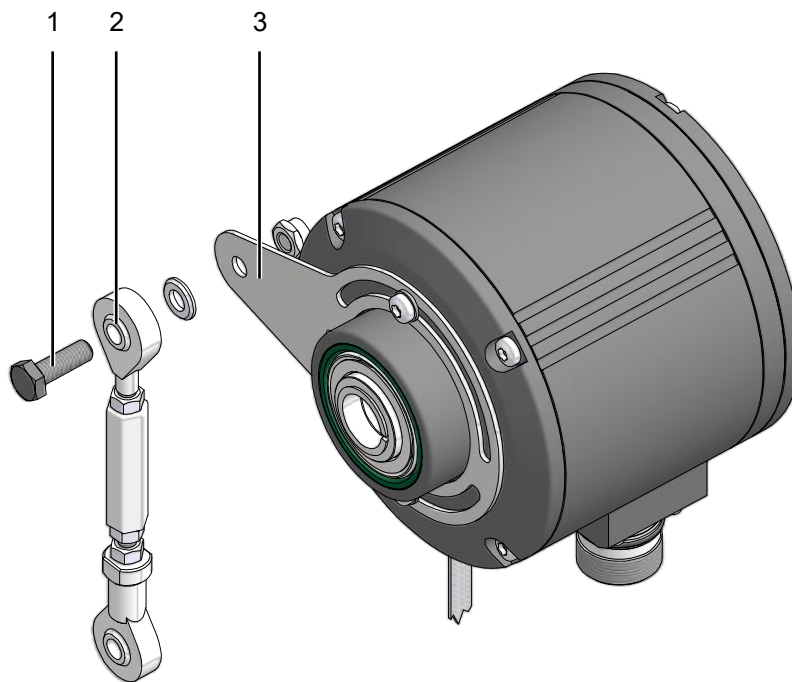


c) Move the torque support to the desired position.



d) Tighten the Torx screw with 2-3 Nm.


5.2 Attaching the torque arm to the device



III. 3: Attaching the torque arm to the device

| | | | |
|---|--|---|------------|
| 1 | Hexagon head screw M6x18 mm (ISO 4017) | 2 | Torque arm |
| 3 | Torque plate | | |

Tool

-  10 mm (2×)

Instruction:

- ♦ Screw torque arm onto the support plate using hexagon head bolt, washer and self-locking nut.

Also see about this

- [Avoiding and calculating angular errors \[▶ 25\]](#)
- [Mounting the torque arm at drive \[▶ 22\]](#)

5.3 Blind hollow shaft encoder installation

⚠ DANGER**Injuries caused by shaft rotation**

Hair and clothing may get caught in rotating shafts which may lead to serious personal injury.

- a) Make sure the device is idle.
 - b) Before performing any work at the device, make sure power supply is and remains disconnected.
-

⚠ DANGER**Explosion**

Sparks may cause fire or explosion.

- a) Do not use the device in the near vicinity of explosive or highly flammable materials.
-

NOTICE**Severe concentricity errors of drive shaft will reduce service life and entail angular errors.**

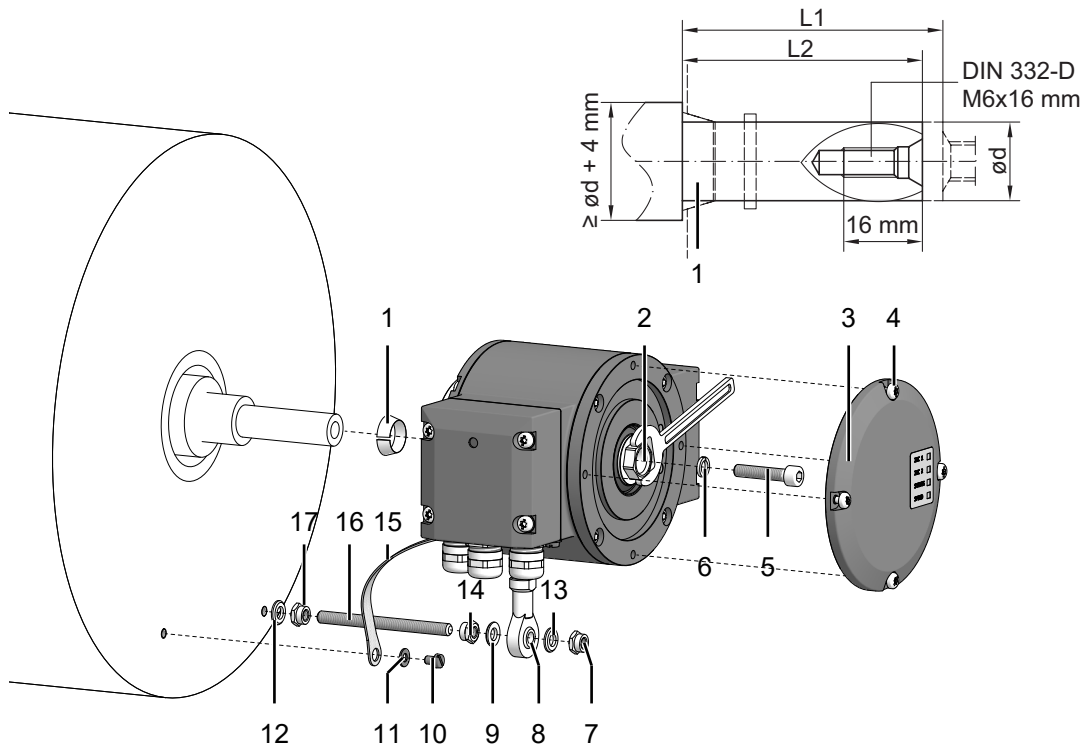
Severe runout errors of the drive shaft cause vibrations that cut down on the encoder service life and may cause angular errors.

- a) Keep concentricity errors of drive shaft down to a minimum (recommended ≤ 0.2 mm; ≤ 0.03 mm).
-

NOTICE**Equipment damage by mechanical overload**

Rigid mounting may cause overload by constraining forces.

- a) Do not limit the device mobility.
 - b) Observe the mounting instructions.
 - c) Adhere to the specified distances and/or angles.
-



| | | | |
|----|--|----|--|
| 1 | Clamping element (not for cone shaft) | 2 | Blind hollow shaft or cone shaft with wrench flat SW 17 mm |
| 3 | Cover | 4 | Torx/slotted head screw M4x10 mm (DIN 7964) |
| 5 | Cheese-head screw M6x30 mm (ISO 4762) | 6 | Spring washer 6 (DIN 7980) |
| 7 | Self-locking nut M6 (ISO 10511) | 8 | Torque arm |
| 9 | Washer B6.4 (ISO 7090) | 10 | Cheese-head screw M6x8 mm for grounding strap (ISO 1207) |
| 11 | Washer B6.4 for grounding strap (ISO 7090) | 12 | Washer B6.4 (ISO 7090) |
| 13 | Washer B6.4 (ISO 7090) | 14 | Self-locking nut M6 (ISO 10511) |
| 15 | Grounding strap | 16 | Threaded rod M6 (variable length ≤ 210 mm) |
| 17 | Self-locking nut M6 (ISO 10511) | | |

| Shaft diameter (mm) | L1 (mm) | L2 (mm) |
|---------------------|---------|------------|
| 16 _{h6} | 53 | 52 (40-52) |
| 20 _{h6} | 35 | 34 (25-34) |

Tool

- ⌀ 5 mm
- ⌀ 10 mm, 17 mm
- ⌘ 20 mm
- ⌀ 1,6x8 mm
- Measuring gauge

Instruction:

- a) Verify drive shaft about any concentricity error (see further links).
- b) Mount the encoder in a way ensuring the electrical connection is protected against water ingress.
- c) Loosen the encoder cover.
- d) Apply grease onto the drive shaft.
- e) Mount the encoder using cheese head screw, spring washer and clamping element. For doing so, tighten the screw to a torque of 6 Nm and secure by wrench if required.
- f) Attach cover using the Torx/ slotted screws (4x).
- g) Mount the torque arm together with threaded rod, washers (3x) and self-locking nuts (3x). Observe the torque arm mounting instructions (see further links).
- h) Attach grounding strap using cheese head screw and washer.

Also see about this

- [Avoiding and calculating angular errors \[▶ 25\]](#)
- [Mounting the torque arm at drive \[▶ 22\]](#)

5.4**Mounting the encoder to cone shaft**** DANGER****Injuries caused by shaft rotation**

Hair and clothing may get caught in rotating shafts which may lead to serious personal injury.

- a) Make sure the device is idle.
- b) Before performing any work at the device, make sure power supply is and remains disconnected.

 DANGER**Explosion**

Sparks may cause fire or explosion.

- a) Do not use the device in the near vicinity of explosive or highly flammable materials.

NOTICE**Severe concentricity errors of drive shaft will reduce service life and entail angular errors.**

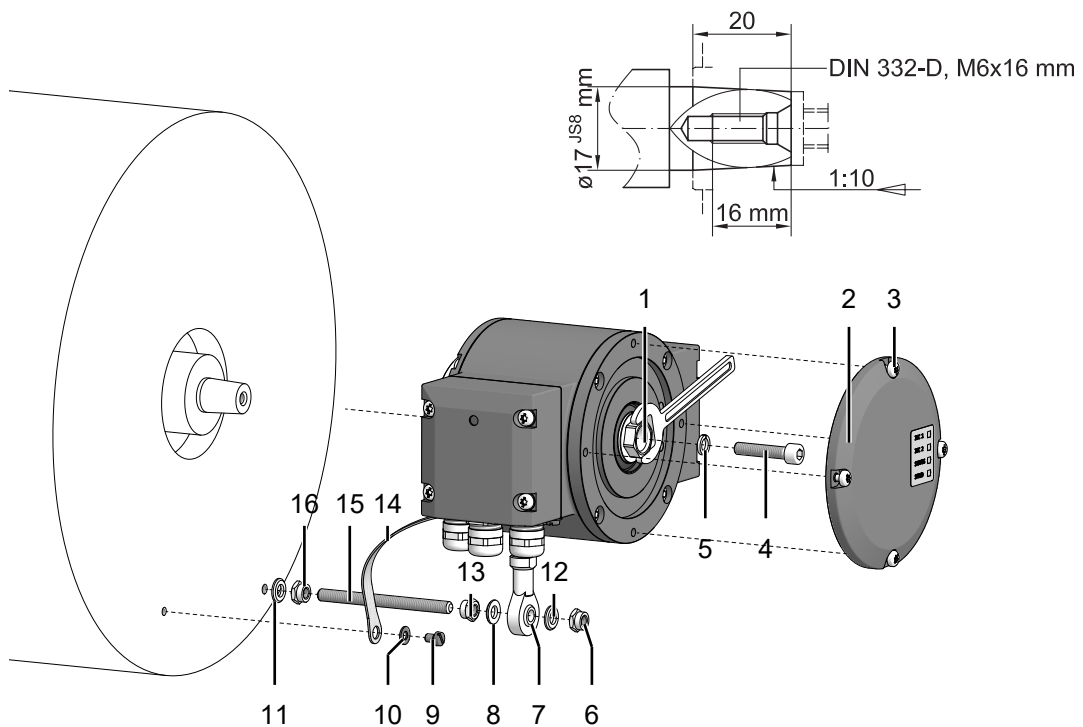
Severe runout errors of the drive shaft cause vibrations that cut down on the encoder service life and may cause angular errors.

- a) Keep concentricity errors of drive shaft down to a minimum (recommended ≤ 0.2 mm; ≤ 0.03 mm).

NOTICE**Equipment damage by mechanical overload**

Rigid mounting may cause overload by constraining forces.

- a) Do not limit the device mobility.
- b) Observe the mounting instructions.
- c) Adhere to the specified distances and/or angles.



| | | | |
|----|--|----|--|
| 1 | Blind hollow shaft or cone shaft with wrench flat SW 17 mm | 2 | Cover |
| 3 | Torx/slotted head screw M4x10 mm (DIN 7964) | 4 | Cheese-head screw M6x30 mm (ISO 4762) |
| 5 | Spring washer 6 (DIN 7980) | 6 | Self-locking nut M6 (ISO 10511) |
| 7 | Torque arm | 8 | Washer B6.4 (ISO 7090) |
| 9 | Cheese-head screw M6x8 mm for grounding strap (ISO 1207) | 10 | Washer B6.4 for grounding strap (ISO 7090) |
| 11 | Washer B6.4 (ISO 7090) | 12 | Washer B6.4 (ISO 7090) |
| 13 | Self-locking nut M6 (ISO 10511) | 14 | Grounding strap |
| 15 | Threaded rod M6 (variable length ≤ 210 mm) | 16 | Self-locking nut M6 (ISO 10511) |

Tool

- 5 mm
- 10 mm, 17 mm
- 20 mm
- 1,6x8 mm
- Measuring gauge

Instruction:

- a) Verify drive shaft about any concentricity error (see further links).
- b) Mount the encoder in a way ensuring the electrical connection is protected against water ingress.
- c) Loosen the encoder cover.
- d) Apply grease onto the drive shaft.
- e) Mount the encoder using cheese-head screw and spring washer. For doing so, tighten the screw with a torque of 3-4 Nm and secure with wrench if necessary.

- f) Attach cover using the Torx/ slotted screws (4x).
- g) Mount the torque arm together with threaded rod, washers (3x) and self-locking nuts (3x).
Observe the torque arm mounting instructions (see further links).
- h) Attach grounding strap using cheese head screw and washer.

Also see about this

- [Mounting the torque arm at drive \[▶ 22\]](#)
- [Avoiding and calculating angular errors \[▶ 25\]](#)

5.5 Hollow shaft mount

 DANGER**Injuries caused by shaft rotation**

Hair and clothing may get caught in rotating shafts which may lead to serious personal injury.

- a) Make sure the device is idle.
- b) Before performing any work at the device, make sure power supply is and remains disconnected.

 DANGER**Explosion**

Sparks may cause fire or explosion.

- a) Do not use the device in the near vicinity of explosive or highly flammable materials.

NOTICE**Severe concentricity errors of drive shaft will reduce service life and entail angular errors.**

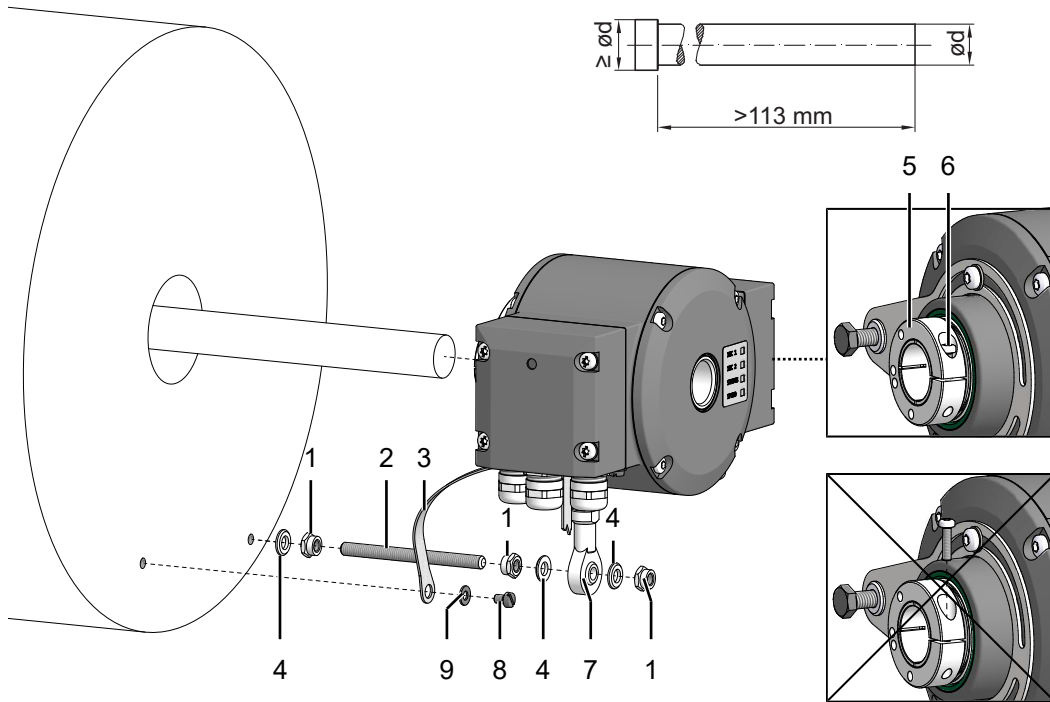
Severe runout errors of the drive shaft cause vibrations that cut down on the encoder service life and may cause angular errors.

- a) Keep concentricity errors of drive shaft down to a minimum (recommended ≤ 0.2 mm; ≤ 0.03 mm).

NOTICE**Equipment damage by mechanical overload**

Rigid mounting may cause overload by constraining forces.

- a) Do not limit the device mobility.
- b) Observe the mounting instructions.
- c) Adhere to the specified distances and/or angles.



| | | | |
|---|--|---|--|
| 1 | Self-locking nut M6 (ISO 10511) | 2 | Threaded rod M6 (variable length ≤ 210 mm) |
| 3 | Grounding strap | 4 | Washer B6.4 (ISO 7090) |
| 5 | Through hollow shaft | 6 | Torx screw M3x12 mm (ISO 7045) |
| 7 | Torque arm | 8 | Cheese-head screw M6x8 mm for grounding strap (ISO 1207) |
| 9 | Washer B6.4 for grounding strap (ISO 7090) | | |

Tool

- ○ 10 mm
- ✦ 10 mm
- ⌀ 1,6×8 mm
- Measuring gauge

Instruction:

- a) Verify drive shaft about any concentricity error (see further links).
- b) Mount the encoder in a way ensuring the electrical connection is protected against water ingress.
- c) Apply grease onto the drive shaft.
- d) Loosen the Torx screw on the clamping ring a little. Do not unscrew the screw completely.
- e) Slide the encoder onto the drive shaft.
- f) Tighten the Torx screw on the clamping ring with a torque of 2-3 Nm.
- g) Mount the torque arm together with threaded rod, washers (3x) and self-locking nuts (3x). Observe the torque arm mounting instructions (see further links).
- h) Attach grounding strap using cheese head screw and washer.

Also see about this

- [📄 Avoiding and calculating angular errors \[▶ 25\]](#)
- [📄 Mounting the torque arm at drive \[▶ 22\]](#)

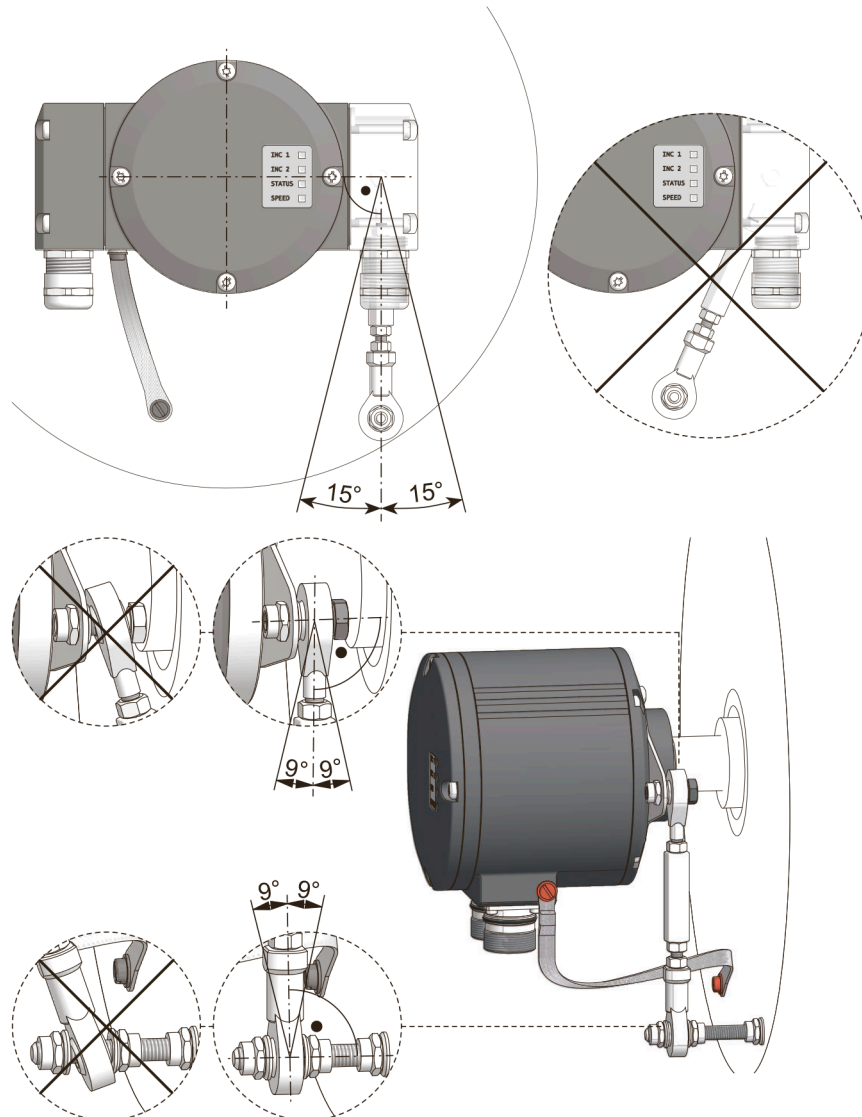
5.6 Mounting the torque arm at drive

NOTICE

Incorrect mounting of the torque arm may reduce service life and cause angular errors

A torque arm backlash of ± 0.03 mm, for example, means concentricity errors of 0.06 mm at the drive shaft which may result in severe angular errors.

a) Mount the torque arm without any backlash.



a) Mount the torque arm in a way that the shift towards the vertical encoder axis does not exceed 15° to the left or right.

b) Mount the torque arm in away that the shift towards the vertical encoder axis does not exceed 9° towards the back or front.

Also see about this

[Avoiding and calculating angular errors](#) [▶ 25]

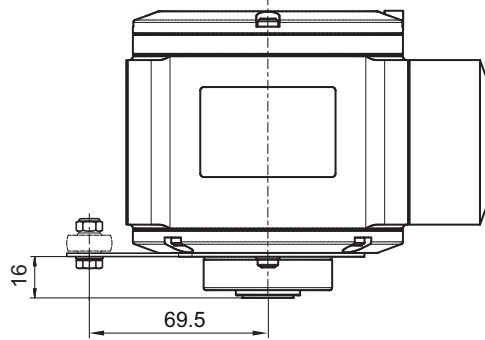
5.6.1 HMG10 installation versus HOG10

Maximum compatibility in HOG10 mounting is obtained with the torque arm facing away from the motor.

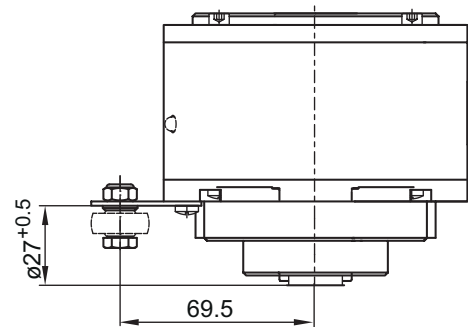
However, this can only be achieved using the terminal box (connection code -P) and mounting that is shifted by 180°, or alternatively with a M23 flange connector.

Comparison / torque plate

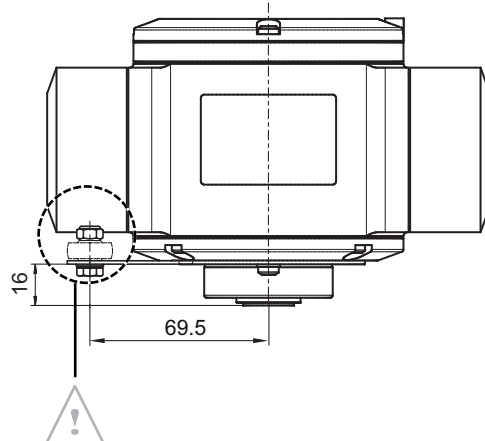
HMG10 with 1x terminal box



HOG10

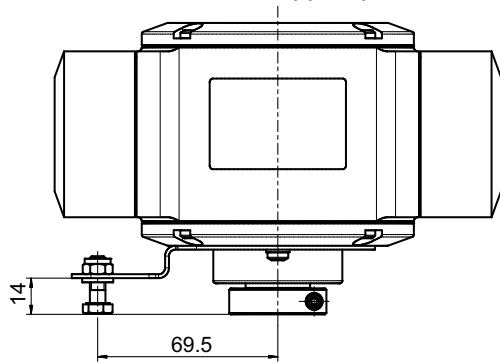


HMG10 with 2x terminal box

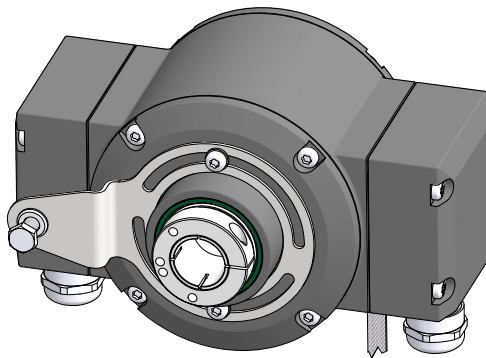
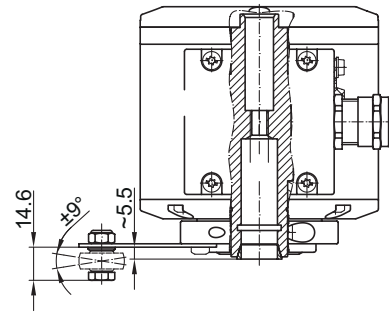


Or, for the 1st generation of HMG10 (2015-2020) using the cranked torque plate (no.11241731)

HMG10 with cranked support plate



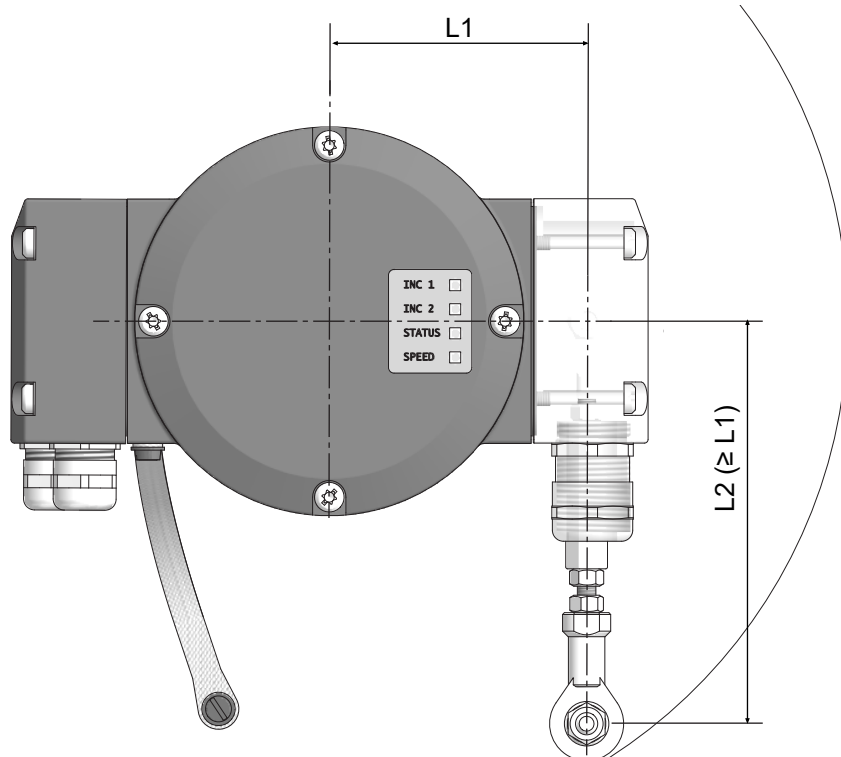
HMG10 (1. Generation)



Also see about this

[Avoiding and calculating angular errors \[25\]](#)

5.7 Avoiding and calculating angular errors



L1 Vertical distance of the torque arm towards the encoder center in mm

L2 Torque arm length
(\geq
L1)



INFO

For further information, please call the telephone hotline at +49 (0)30 69003-111.

Instruction:

- Make sure that concentricity errors of the drive shaft do not exceed 0.2 mm (0.03 mm recommended) to prevent angular errors.
- Limit such angular errors by increased gap L1. For doing so, various torque plates for are available on request.
- Note that length L2 of the torque arm should be \geq L1. Where not possible, consider L2.
- To calculate angular errors Δp_{mech} proceed as follows (R = runout error in mm and L1 = vertical gap of torque arm towards the device center in mm):

$$\Delta p_{\text{mech}} = \pm 90^\circ / \pi \times R / L1$$

Calculation example:

With R = 0.06 mm and L1 = 69.5 mm, the angular error Δp_{mech} is $\pm 0.025^\circ$.

6 Electrical installation

DANGER

Injury by to secondary damage

Encoder failure or incorrect signals may entail system control errors.

- a) Eliminate secondary encoder damage by the relevant safety precautions in the downstream electronics.

NOTICE

Sensor damage due to faulty power supply.

The sensor can be damaged due to faulty power supply.

- a) Operate the sensor only with protected low voltage and safe electrical isolation of protection class III.

NOTICE

Sensor damage or unintended operation due to work on live parts.

Work on live parts may lead to unintentional operation.

- a) Disconnect the power before carrying out any cable.
- b) Disconnect the power before connecting or disconnecting electrical connections.

NOTICE

Sensor damage by excessive switching voltage.

The sensor's overload limit is for protection only and not intended as limit for the permanently switching voltage.

- a) Make sure that the maximum permitted switching voltage is not exceeded.

6.1 PROFINET

6.1.1 PROFINET Features

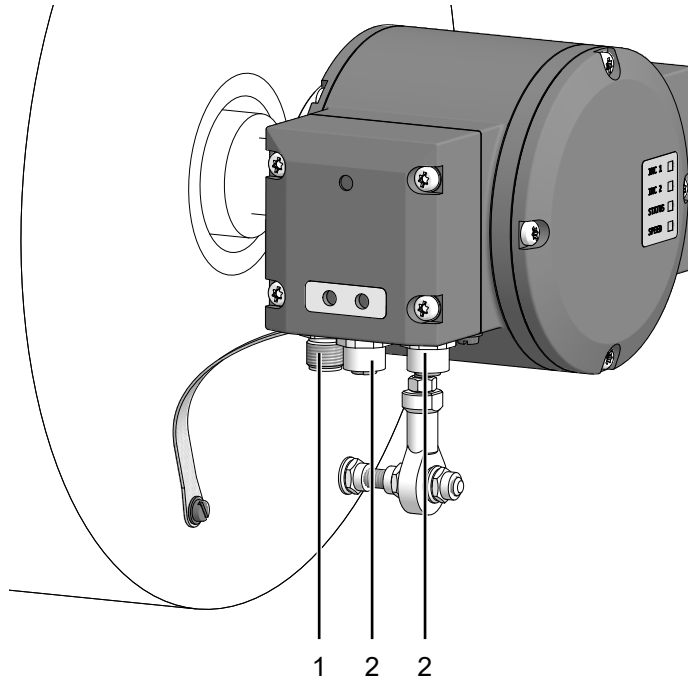


INFO

Detailed instructions for the PROFINET interface as well as the GSDML file can be found on the Baumer website www.baumer.com.

| | |
|-------------------|--|
| Fieldbus protocol | PROFINET |
| Device profile | Encoder profile PNO 3.162 |
| Features | 100 MBaud Fast Ethernet Automated address allocation Realtime (RT) Class 1, IRT Class 2, IRT Class 3 |
| Process data | Position value 32 bit input data |

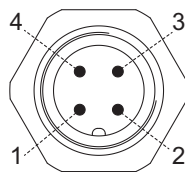
6.1.2 Pin assignment PROFINET



III. 4: Connections HMG10 PROFINET

| | | | |
|---|-----------------------------------|---|---------------------------------------|
| 1 | Mating connector (4-pin, A-coded) | 2 | Mating connector (4-contact, D-coded) |
|---|-----------------------------------|---|---------------------------------------|

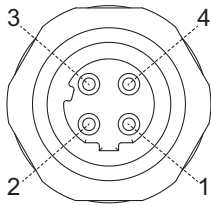
6.1.2.1 Mating connector (4-pin, A-coded)



III. 5: Mating connector (4-pin, A-coded)

| Pin | Connection | Description |
|-----|------------|------------------------------|
| 1 | UB | Operating voltage 10-30 V DC |
| 2 | - | Do not use |
| 3 | GND | Ground connection for UB |
| 4 | - | Do not use |

6.1.2.2 Mating connector (4-contact D-coded)



III. 6: Mating connector (4-contact, D-coded)

| PIN | Connection | Description |
|-----|------------|--------------------|
| 1 | TxD+ | Data transmitted + |
| 2 | RxD+ | Data received + |
| 3 | TxD- | Data transmitted - |
| 4 | RxD- | Data received - |

6.2 Terminal box

6.2.1 Pin assignment at terminal box

| Connection | Description |
|-------------------|--|
| Ub ^I | Operating voltage |
| 0V ^I | Ground connection |
| A+ ^I | Output signal channel 1 |
| A- ^I | Output signal channel 1 inverted |
| B+ ^I | Output signal channel 2 (90° offset to channel 1) |
| B- ^I | Output signal channel 2 inverted |
| R+ ^I | Zero pulse (reference signal) |
| R- ^I | Zero pulse inverted |
| nE+ | System OK+ / Error output |
| nE- | System OK / Error output inverted |
| SP+ ^{II} | DSL_OUT1 / speed switch (open collector ^{III} or semiconductor relay ^{III}) |
| SP- ^{II} | DSL_OUT2 / Speed switch (0 V ^{III} or semiconductor relay ^{III}) |
| SA ^{IV} | RS485+ / programming interface |
| SB ^{IV} | RS485 / programming interface |
| dnu | do not use |

^I Additional output incremental (optional)

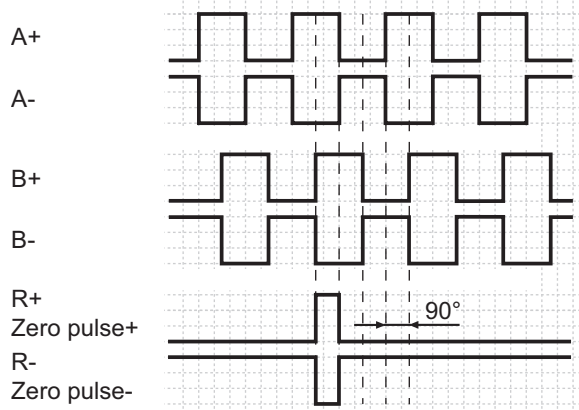
^{II} Speed switch (optional)

^{III} According to product variant

^{IV} Programming interface (programmable product variant only)

6.2.2 Output signals additional incremental output (optional)

At positive rotating direction



Ill. 7: Output signal behavior at positive direction of rotation

6.2.3 Switching level additional output incremental (optional)

| Switching level | TTL/RS422 | TTL/HTL ($V_{in} = V_{out}$) ¹ |
|---------------------|---|--|
| High/Low | $\geq 2,5 \text{ V} / \leq 0,5 \text{ V}$ | <ul style="list-style-type: none"> ▪ $\geq 2,5 \text{ V} / \leq 0,5 \text{ V}$ (TTL) ▪ $\geq U_b - 3 \text{ V} / \leq 1,5 \text{ V}$ (HTL) |
| Transmission length | $\leq 550 \text{ m}$ bei 100 kHz | <ul style="list-style-type: none"> ▪ $\leq 550 \text{ m}$ bei 100 kHz (TTL) ▪ $\leq 350 \text{ m}$ bei 100 kHz (HTL) |
| Output frequency | $\leq 600 \text{ kHz}$ | <ul style="list-style-type: none"> ▪ $\leq 600 \text{ kHz}$ (TTL) ▪ $\leq 350 \text{ kHz}$ (HTL) |

¹ The TTL/HTL output ($V_{in} = V_{out}$) at the additional incremental output is galvanically isolated and requires separate voltage supply.

Tab. 1: Switching level additional output incremental (optional)

6.2.4 Programming interface (only for programmable variant)

Encoder parameters such as additional output, switch-off and switch-on speeds can be changed and read out via connection SA and SB. The Z-PA.SDL1 WLAN adapter can be used for encoder access via web browser.

Also see about this

[Z-PA.SDL.1 WLAN adapter: Programming device for HMG10P/PMG10P](#) ▶ 33]

6.2.5 LED activity indicator

| LED | red | green |
|--------------------------------------|--|-----------------------------|
| INC1 | No function | No function |
| INC2 (additional output incremental) | <ul style="list-style-type: none"> ▪ Undervoltage ▪ Overload ▪ Excess temperature | OK |
| Status | Internal error | OK |
| Speed | Speed higher than switching speed (overspeed) | Speed below switching speed |

Tab. 2: LED activity indicator

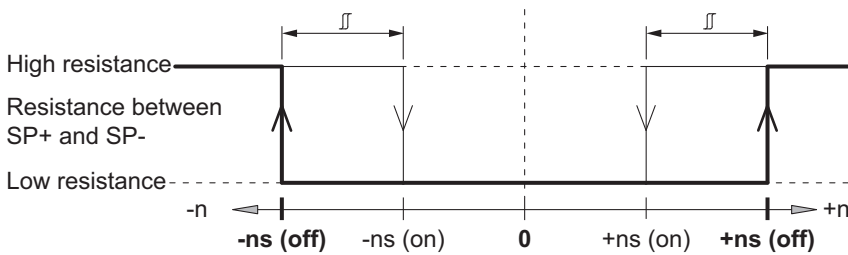
6.2.6 Output switching behavior Speed switch (optional)



INFO

Default switching speed is 6000 rpm for HMG10P and PMG10P. HMG10 and PMG10 without programming interface come with the individually ordered permanent switching speed.

| Event | Speed switching output state |
|---|---|
| During initialization | High-impedance (overspeed) |
| After initialization and speed being $\leq -ns$ (off) | High-impedance (overspeed) |
| $-ns$ (off) < speed $\leq -ns$ (on) | Status unchanged Device rotation within this speed range during initialization results in status low-impedance (no overspeed) after initialization |
| $-ns$ (on) < speed $\leq +ns$ (on) | Low impedance (No overspeed) |
| $+ns$ (on) \leq speed < $+ns$ (off) | Status unchanged Device rotation within this speed range during initialization results in status low-impedance (no overspeed) after initialization |
| $+ns$ (off) \leq speed | High-impedance (overspeed) |



n = Speed

+ns (off) = Switch-off speed at shaft rotation in positive rotating direction*

-ns (off) = Switch-off speed at shaft rotation in negative rotating direction*

Switching hysteresis Δ: 10...100 % (factory setting = 10 % min. 1 Digit)

+ns (on) = Switch-on speed at shaft rotation in positive rotating direction*

-ns (on) = Switch-on speed at shaft rotation in negative rotating direction*

6.2.7 Connecting the supply cable

NOTICE

Equipment damage due to dust or moisture

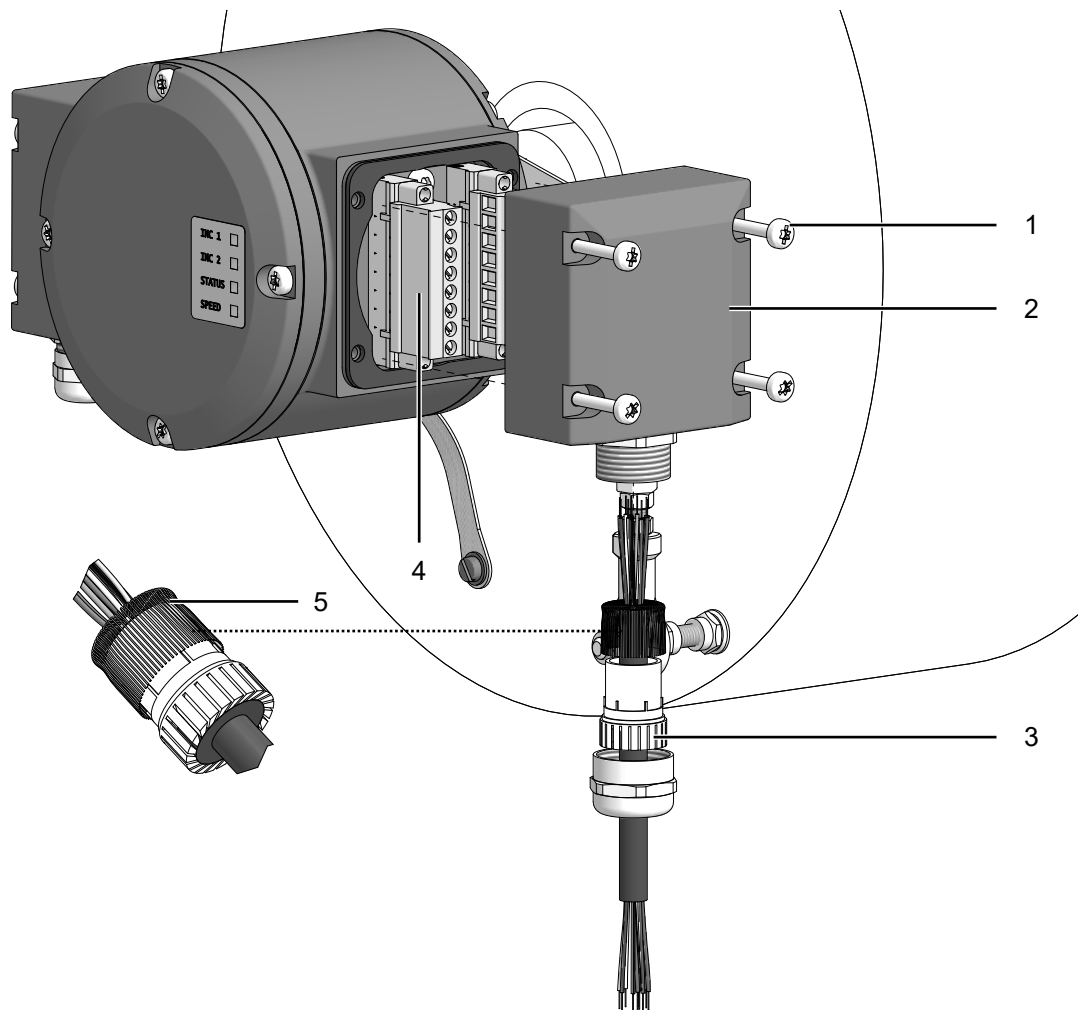
Inappropriate cable diameters may entail ingress of dust or moisture. In this case, the protection class is no longer ensured causing device failure or malfunction.

- a) Use only appropriately sized cables to make sure the specified protection class is being ensured.



INFO



Connection cables are not included in delivery.



III. 8: Connecting the supply cable

| | | | |
|---|---|---|--|
| 1 | | 2 | |
| 3 | | 4 | |
| 5 | | | |
| 1 | Torx / slotted screw M4x32 mm | 2 | Terminal box cover |
| 3 | Cable gland M20x1.5 mm for cable diameter 5...13 mm | 4 | Connection terminals (wire cross-section $\leq 1.5 \text{ mm}^2$) |
| 5 | Cable shield | | |

Tool

-  20 mm
-  22 mm

Instruction:

- a) Loosen the screws at the terminal box.
- b) Lift the terminal box off the encoder.
- c) Loosen the cable gland at the terminal box.
- d) Insert the supply cables into the cable gland, let stick out approx. 50 mm of cable.
- e) Connect cable shield to cable gland and make sure it covers a large area.
- f) Assign the supply cables to the terminals.
- g) Attach the cable gland to the terminal box.

h) Mount the terminal box at the encoder. To do this, tighten the screws with a torque of 2-3 Nm.

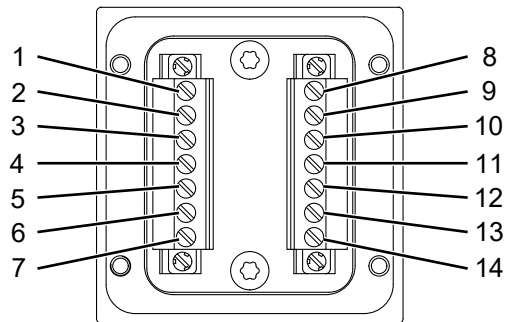
6.2.8 Pin assignment

NOTICE

Operating voltage present at the outputs results in encoder damage.

The encoder might be damaged by any operating voltage being present at the outputs.

a) Make sure that no operating voltage is present at the outputs.



///. 9: Pin assignment

| | | | |
|----|-------------------------|----|-------------------------|
| 1 | dnu / SP+ ^I | 2 | dnu / A+ ^{II} |
| 3 | dnu / A- ^{II} | 4 | dnu / B+ ^{II} |
| 5 | dnu / B- ^{II} | 6 | Ub ^{II} |
| 7 | 0 V ^{II} | 8 | dnu / SP- ^I |
| 9 | nE+ | 10 | nE- |
| 11 | dnu / R+ ^{II} | 12 | dnu / R- ^{II} |
| 13 | dnu / SA ^{III} | 14 | dnu / SB ^{III} |

^I Speed switch (optional)

^{II} Additional output incremental (optional)

^{III} Programming interface (programmable product variant only)

6.3 Sensor cable

HEK 8 - 10-core sensor cable for rotary encoders

2 cores 0.5 mm² (supply), 4 twisted pairs 0.25 mm² (signal), cable length on request.

HEK 17 - 16-core sensor cable for rotary encoders

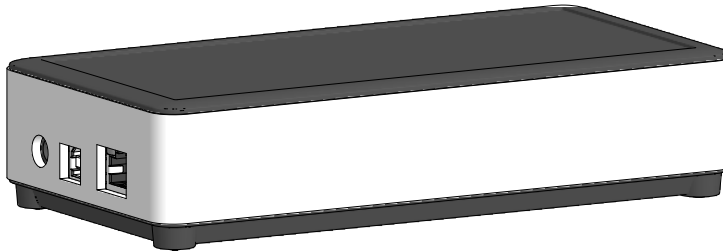
2 cores 0.5 mm² (supply), 3 twisted pairs 0.14 mm² (signal), 4 cores 0.14 mm² (signal), 4 cores 0.22 mm² (data), cable length on request.

6.4 Z-PA.SDL.1 WLAN adapter: Programming device for HMG10P/PMG10P



INFO

For detailed function descriptions refer to the WLAN adapter installation and operating instructions.



Ill. 10: Z-PA.SDL.1 WLAN adapter (ordering ref.: 11190106)

The Z-PA.SDL.1 WLAN adapter is for programming and monitoring the HMG10P/PMG10P encoder series.

The following encoder parameters enable parameterization (according to encoder version):

- Additional output (ppr number)
- Switch on and off speed

Programming device configuration and operation is via web browser.

7 Disassembly

NOTICE**Equipment damage due to mechanical shock**

Strong vibration may lead to overload by constraining force.

- a) Never apply force. If properly assembled, everything fits smoothly together.
 - b) Use only suitable tools for disassembly (see chapter on disassembly).
-

NOTICE**Equipment damage by adhering liquids**

Sticky liquids may damage sensing unit and ball bearings. Disassembling a device which is stuck to the axis can lead to destruction.

- a) Do not use adhesive liquids to fasten the device.
-



NOTICE

The device can be easily removed via the cheese-head screw (M8x45 mm, ISO 4762) and threaded pin (M6x10 mm, ISO 7436).

7.1 Removing the encoder from blind hollow shafts or cone shafts

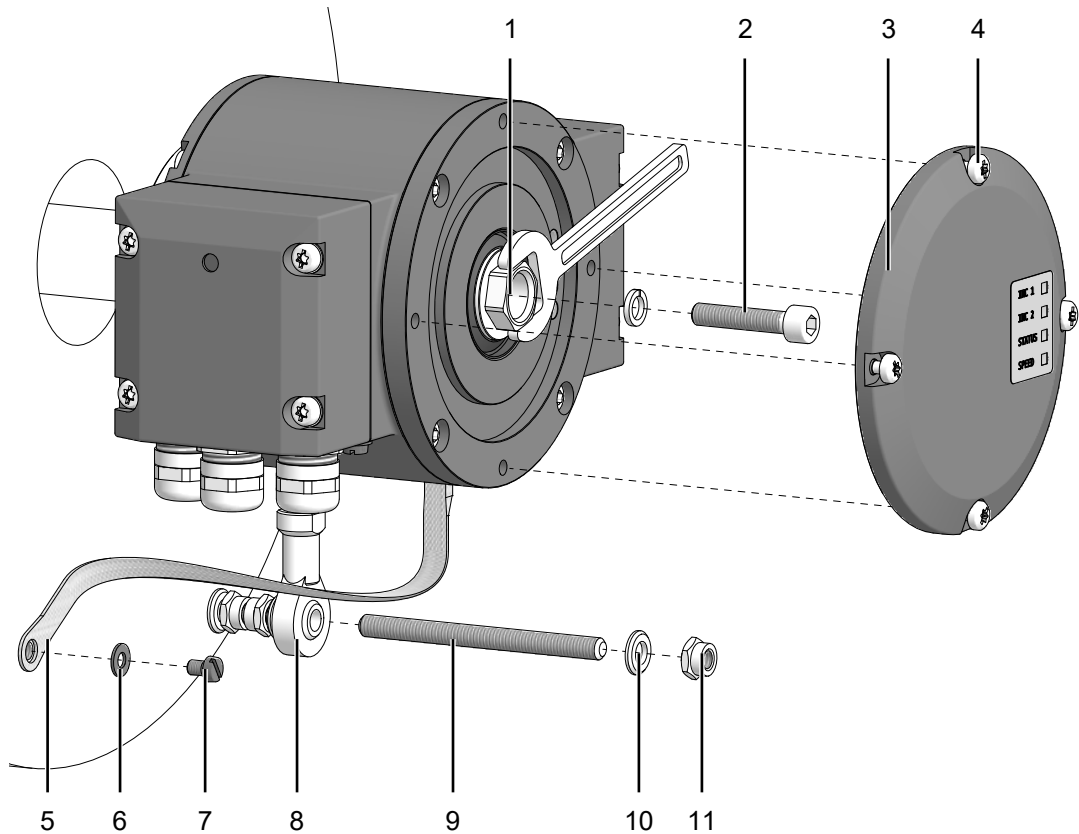
⚠ DANGER

Burns caused by heat

The device heats up at high torque. There is a risk of getting burned after use.





- a) Avoid overheating the device.
- b) Wear suitable gloves.

7.1.1 Loosen fastening aids provided at the blind hollow shaft



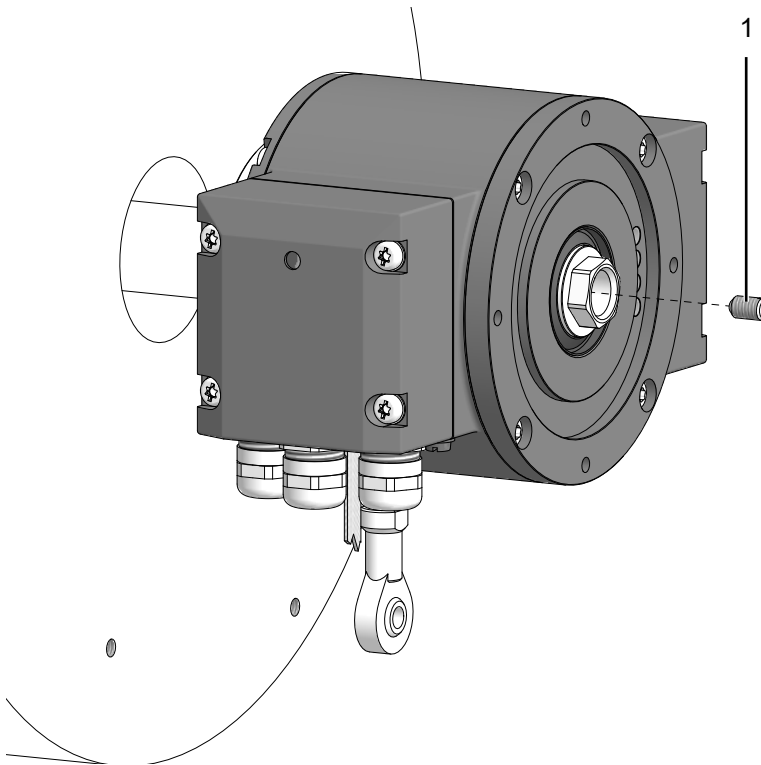
| | | | |
|----|--|----|---|
| 1 | Blind hollow shaft or cone shaft with wrench flat SW 17 mm | 2 | Cheese-head screw M6x30 mm (ISO 4762) |
| 3 | Cover | 4 | Torx/slotted head screw M4x10 mm (DIN 7964) |
| 5 | Grounding strap | 6 | Washer B6.4 for grounding strap (ISO 7090) |
| 7 | Cheese-head screw M6x8 mm for grounding strap (ISO 1207) | 8 | Torque arm |
| 9 | Threaded rod M6, variable length \leq 210 mm | 10 | Washer B6.4 (ISO 7090) |
| 11 | Self-locking nut M6 (ISO 10511) | | |

Tool

-  5 mm
-  1,6x8 mm
-  10 mm, 17 mm
-  20 mm


Instruction:

- a) Disconnect the electrical connection to the encoder using the plug-in terminal boxes and contacts.
- b) Remove the cover at rear.
- c) Unscrew the cheese-head screw and secure at the hollow shaft using a wrench.
- d) Loosen the self-locking nut on the torque arm.
- e) Loosen the cheese-head screw at ground strap.

7.1.2 Threaded pin to secure at blind hollow shaft

1 Threaded pin M6x10 mm (ISO 7436)

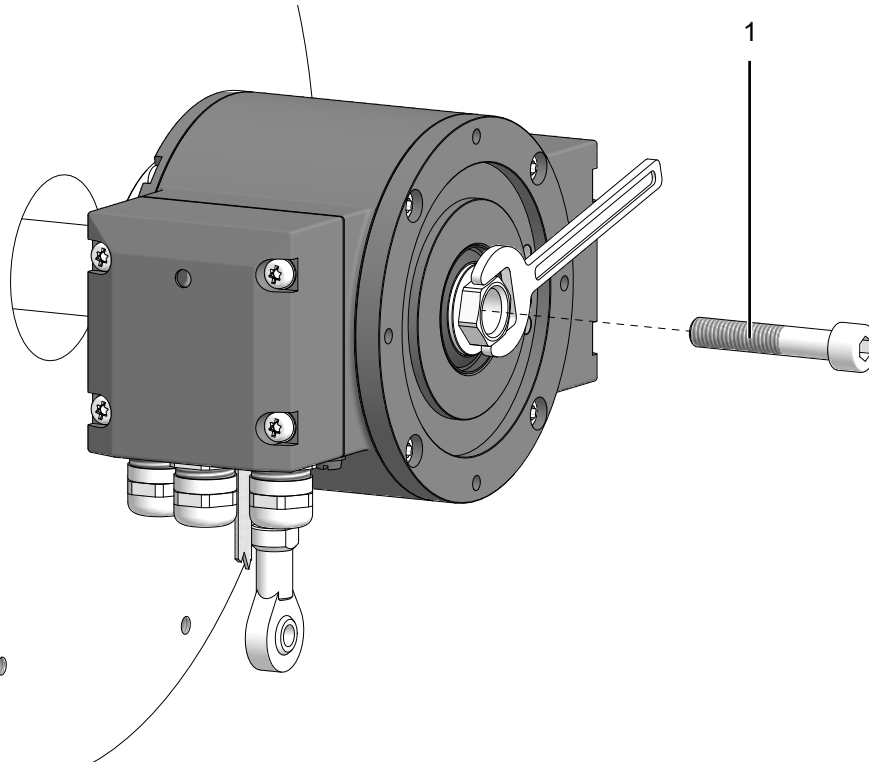
Tool

-  0,8x4 mm

Instruction:

- ◆ Flush attachment of the threaded pin will protect the inside thread of the drive shaft.

7.1.3 Detaching the encoder from blind hollow shafts



- 1 Cheese head screw M8x45 mm (ISO 4762)

Werkzeug

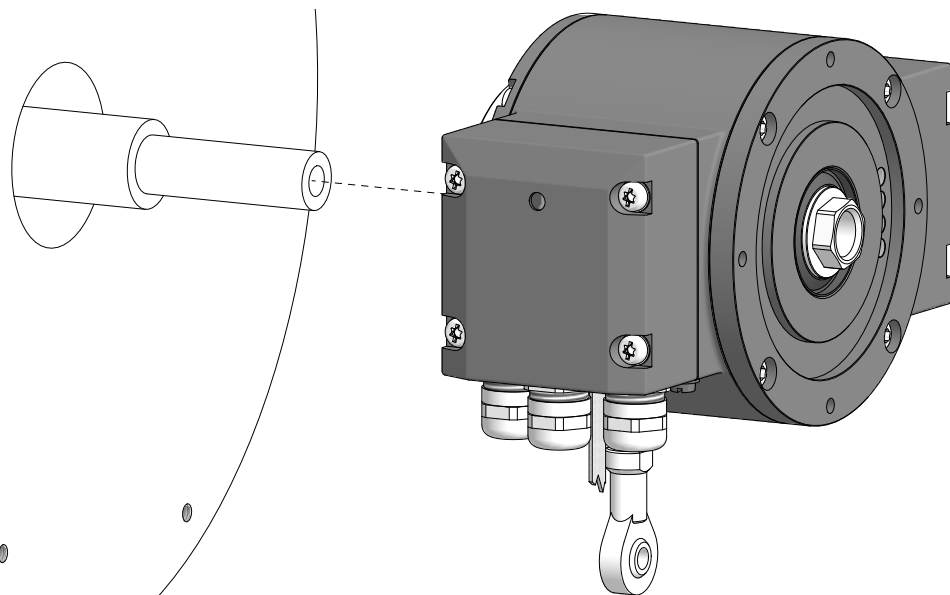
-  6 mm
-  17 mm

Instruction:

- ◆ Slide encoder off the shaft by loosening the cheese-head screw and support the shaft using a wrench.

Result:

- ✓ The encoder comes off.



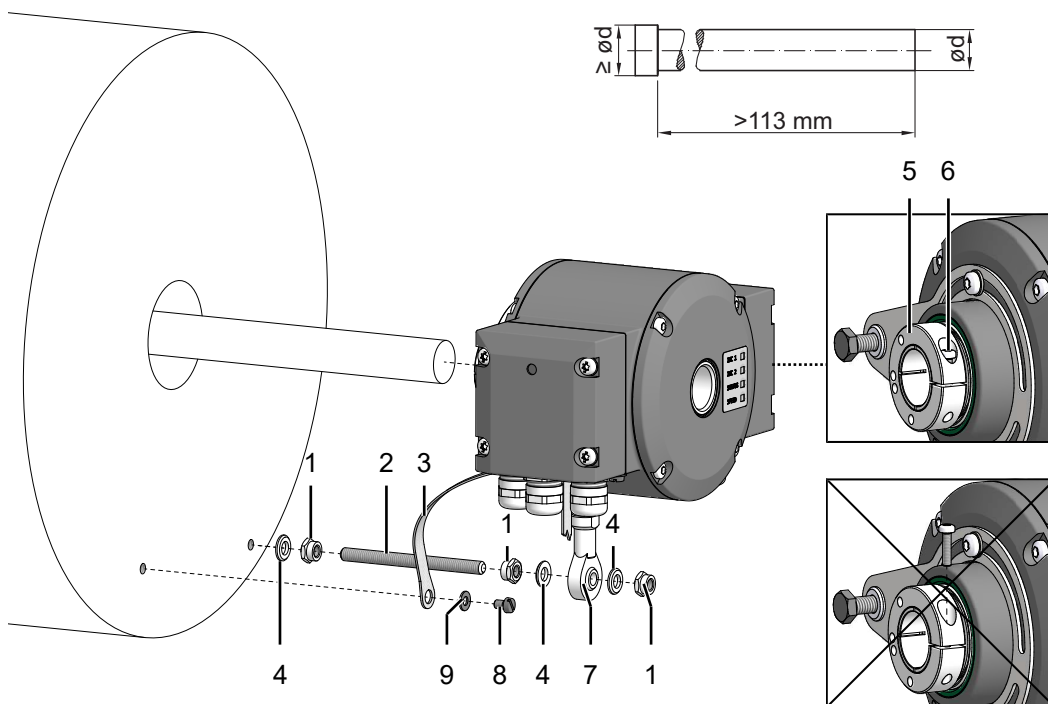
7.2 Detaching the encoder from through-hollow shaft

⚠ DANGER

Burns caused by heat

The device heats up at high torque. There is a risk of getting burned after use.

- a) Avoid overheating the device.
- b) Wear suitable gloves.



III. 11: Detaching the encoder from the through-hollow shaft

| | | | |
|---|--|---|--|
| 1 | Self-locking nut M6 (ISO 10511) | 2 | Threaded rod M6 (variable length ≤ 210 mm) |
| 3 | Grounding strap | 4 | Washer B6.4 (ISO 7090) |
| 5 | Through hollow shaft | 6 | Torx screw M3x12 mm (ISO 7045) |
| 7 | Torque arm | 8 | Cheese-head screw M6x8 mm for grounding strap (ISO 1207) |
| 9 | Washer B6.4 for grounding strap (ISO 7090) | | |

Tool

- $\text{1,6} \times 8$ mm
- 10 mm
- 10 mm

Instruction:

- a) Loosen the Torx screw at clamping ring. Do not unscrew the screw completely.
- b) Loosen the self-locking nut on the torque arm
- c) Loosen the cheese-head screw at grounding strap.
- d) Slide the encoder off the shaft.

8 Technical data

| HMG10 | |
|---------------------------------------|---|
| Electrical Data | |
| Voltage supply U_b | 10-30 V DC |
| Short-circuit proof | Yes |
| Operating current without load | ≤ 200 mA |
| Initializing time | ≤ 500 ms after switch-on |
| Sensing principle | Magnetic |
| Fieldbus interface | PROFINET |
| Data rate (programming interface) | 100 Mbit/s |
| User address | Automated address allocation |
| Steps per turn | 8192 / 13 Bit |
| Number of turns | 65536 / 16 Bit |
| Incremental output | Rectangle TTL/HTL, TTL/RS422 |
| Interference immunity | see data sheet and declaration of conformity |
| Interference emission | see data sheet and declaration of conformity |
| Programming interface | RS485 (≤ 600 m) ¹ |
| Programmable parameters | Bus system (see reference at the end of the chapter) Additional output (ppr number) ¹ Switch off / on speed ¹ |
| Diagnostic functions | Position and parameter errors |
| LED status indicator | DUO LED and Link/Activity LEDs in bus terminal box 4 LEDs at rear of the device |
| Approvals | see data sheet and declaration of conformity |
| Electrical data (Speed switch) | |
| Switching accuracy | ± 2 % (or 1 digit) |
| Switching outputs | 1 output (Open-collector ¹¹ or semiconductor relay ¹¹) |
| Output switching performance | 30 V DC; ≤ 100 mA |
| Switching delay | ≤ 20 ms |
| Mechanical | |
| Dimensions (flange) | $\varnothing 105$ mm |
| Shaft type | HMG10-B $\varnothing 16...20$ mm (blind hollow shaft) $\varnothing 17$ mm (cone shaft 1:10) HMG10-T $\varnothing 16...20$ mm (through hollow shaft) |
| Flange | Torque plate, in any position throughout 360° |

| HMG10 | |
|-------------------------------|---|
| Protection class DIN EN 60529 | IP66/IP67 |
| Operating speed | ≤6000 rpm |
| Switching speed range | ns (off) = ±2 ... ±6000 rpm, (HMG10P: factory setting 6000 rpm) |
| Operating torque typically. | 10 Ncm |
| Rotor torque | 950 gcm ² |
| Maximum permitted shaft load | ≤ 450 N axial ≤ 650 N radial |
| Materials | Housing: aluminium alloy Shaft: stainless steel |
| Operating temperature | -40 ...+85 °C |
| Relative humidity | 95 % not condensing |
| Resistance | IEC 60068-2-6 Vibration 30 g, 10-2000 Hz IEC 60068-2-27 Shocks 400 g, 1 ms |
| Corrosion protection | see data sheet and declaration of conformity |
| Weight approx. | 2,2 kg ^{II} |
| Connection | Bus connection terminal box Terminal box ^{II} |

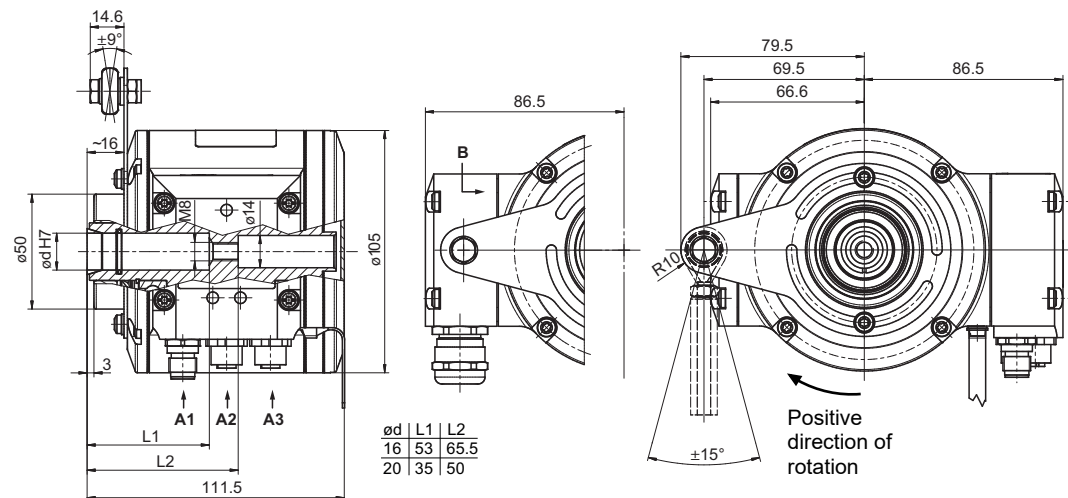
^I Programmable product variant only

^{II} According to product variant

Also see about this

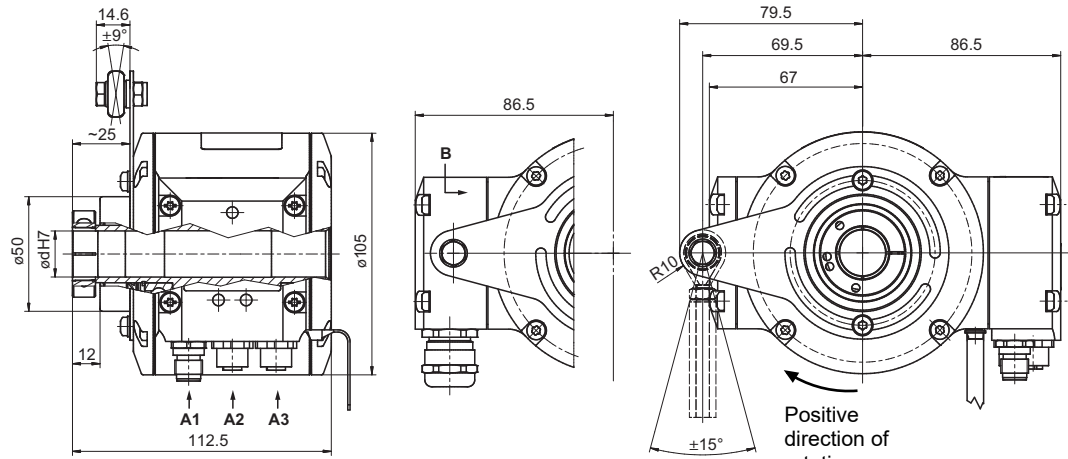
[PROFINET Features \[▶ 26\]](#)

8.1 Blind-hollow shaft dimensions



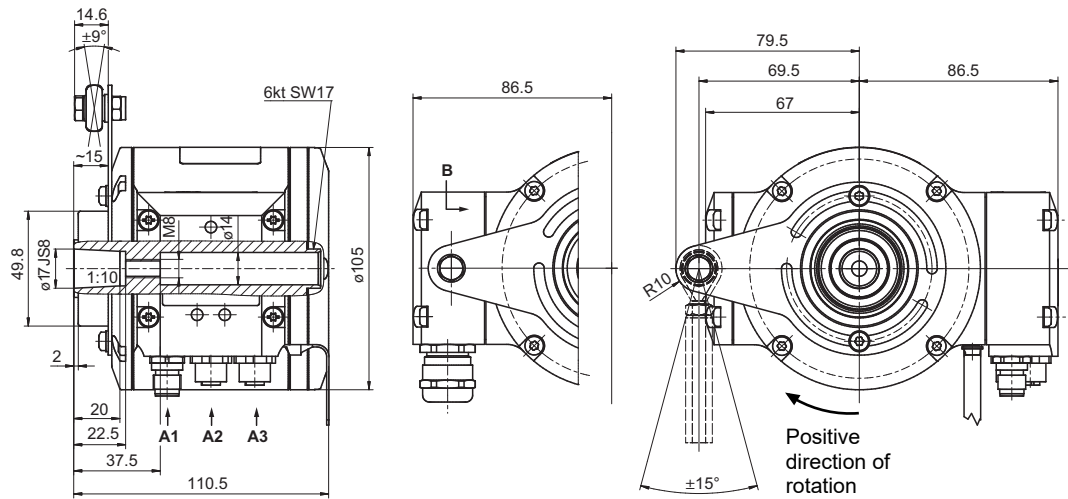
III. 12: Dimensions of blind hollow shaft in mm (unless specified otherwise)

8.2 Through hollow shaft dimensions



III. 13: Dimensions of the through hollow shaft (dimensions in mm unless otherwise specified)

8.3 Cone shaft dimensions



III. 14: Cone shaft dimensions (in mm unless specified otherwise)

List of illustrations

| | | |
|---------|---|----|
| III. 1 | Description HMG10..... | 9 |
| III. 2 | Mounting accessories | 10 |
| III. 3 | Attaching the torque arm to the device | 14 |
| III. 4 | Connections HMG10 PROFINET..... | 27 |
| III. 5 | Mating connector (4-pin, A-coded)..... | 27 |
| III. 6 | Mating connector (4-contact, D-coded)..... | 28 |
| III. 7 | Output signal behavior at positive direction of rotation | 29 |
| III. 8 | Connecting the supply cable | 31 |
| III. 9 | Pin assignment..... | 32 |
| III. 10 | Z-PA.SDL.1 WLAN adapter (ordering ref.: 11190106)..... | 33 |
| III. 11 | Detaching the encoder from the through-hollow shaft | 38 |
| III. 12 | Dimensions of blind hollow shaft in mm (unless specified otherwise)..... | 40 |
| III. 13 | Dimensions of the through hollow shaft (dimensions in mm unless otherwise specified)..... | 41 |
| III. 14 | Cone shaft dimensions (in mm unless specified otherwise) | 41 |

