

# Totalizers mechanic

## Stroke counter

Display 5-digits, reset button

H 126



H 126 - Stroke counter

### Features

- Stroke counter
- Adding
- Display 5-digits
- Manual reset by knurled knob

### Technical data - mechanical design

Function	Stroke counter
Display	White numbers on black
Number of digits	5-digits
Digit height	4.5 mm
Zero setting	Reset by knurled knob
Count mode	Adding in a stroke direction to be indicated. 1 stroke = 1 count
Drive shaft	Right or left, $\varnothing 4$ mm
Stroke	$>38^\circ$ to $<60^\circ$
Stroke lever	To be positioned on shaft at will. Stroke lever relocates automatically to start position.
Stroke frequency	$\leq 500$ strokes/min
Measuring range	99 999
Ambient temperature	0...+60 °C
Housing type	Surface mount housing with mounting plate
Housing colour	Grey
Dimensions W x H x L	40 x 29 x 27.5 mm
Dimensions mounting plate	60 x 29 mm
Mounting type	Base plate, 4 mounting holes
Weight approx.	90 g
Materials	Housing: Hostaform POM, grey Base plate: steel zinc-coated

# Totalizers mechanic

## Stroke counter

### Display 5-digits, reset button

H 126

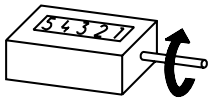
#### Part number

H 126.0   0 A    

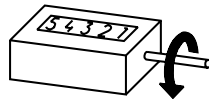
- Display / direction of stroke
  - G 5 digits 99 999 / I
  - H 5 digits 99 999 / II
- Count mode / drive
  - 01 1 stroke = 1 digit / drive shaft at right
  - 02 1 stroke = 1 digit / drive shaft at left
- Housing
  - A Surface mount housing, grey
- Zero setting
  - 1 Reset button at left
  - 2 Reset button at right

#### Direction of strokes and rotation

##### Drive on the right

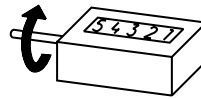


Reset button left  
Away from user  
Direction of rotation or  
stroke direction I

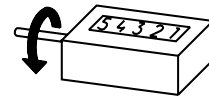


Reset button left  
Toward user  
Direction of rotation or  
stroke direction II

##### Drive on the left



Reset button right  
way from user  
Direction of rotation or  
stroke direction I

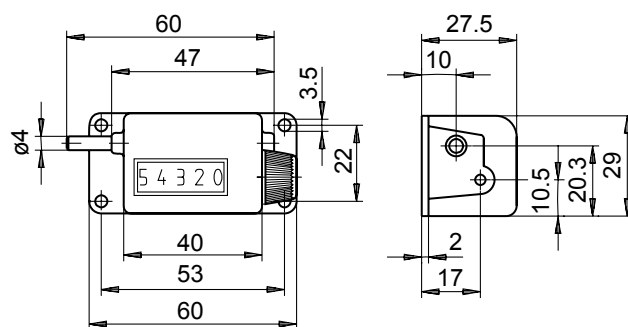


Reset button right  
Toward user  
Direction of rotation or  
stroke direction II

Reset button always opposite of drive.

#### Dimensions

##### H 126



##### Stroke lever and stroke

