

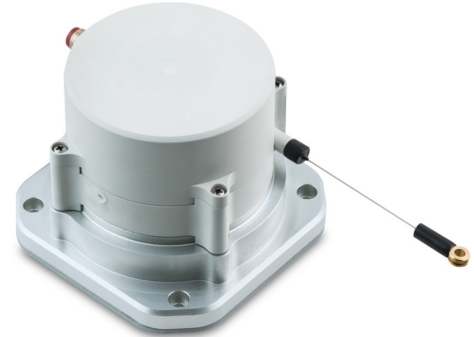
## GCA12 - analog

Analog output

Measuring length absolute up to 12 m

### Overview

- Analog interface
- Potentiometer sensing measuring method
- Operating temperature -40...+85 °C
- Protection IP 65
- Flange connector M12 or cable
- Removable stickers for drainage
- Isolation voltage 3 kV



### Technical data

#### Technical data - electrical ratings

Voltage supply	8...30 VDC 12...30 VDC
Reverse polarity protection	Yes
Short-circuit proof	Yes
Consumption typ.	30 mA (24 VDC, w/o load, current output) 10 mA (24 VDC, w/o load, voltage output)
Initializing time	≤ 500 ms after power on
Interface	Analog 0...10 V / 0.5...4.5 V / 4...20 mA
Load resistor	Between Out/0 V ≥3 kΩ / voltage output 270 Ω at 10 VDC (500 Ω at 15 VDC) / current output
Function	Linear position feedback
Resolution	Essentially infinite
Linearity	±1.5 % FS
Absolute accuracy	±2 % FS
Sensing method	Potentiometer
Interference immunity	EN 61000-6-2
Emitted interference	EN 61000-6-3

#### Technical data - mechanical design

Protection EN 60529	IP 65 (housing, drainage holes closed) IP 54 (cable inlet)
---------------------	---

#### Technical data - mechanical design

Material	Cable: stainless steel cable AISI 316 coated with nylon PA12 Housing: plastic
Operating temperature	-40...+85 °C
Measuring length	12 m
Cable diameter	0.7 mm
Cable fastening	Eyelet Height: 5 mm Internal diameter: 5 mm Outer diameter: 10 mm
Pull-in force	>2.5 N
Pull-out force	≤8 N
Relative humidity	95 % non-condensing
Resistance	EN 60068-2-6 Vibration 10 g, 10-2000 Hz EN 60068-2-27 Shock 50 g, 11 ms
Weight approx.	1630 g
Connection	Cable 2 m, radial Flange connector M12, 5-pin Flange connector M12, 8-pin
Instruction	Please consider the assembly instructions

### Optional

- Redundant potentiometer position sensing

# GCA12 - analog

Analog output

Measuring length absolute up to 12 m

## Terminal assignment

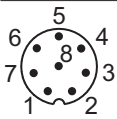
### Flange connector M12, male, 5-pin

Pin	Signals	Description
1	0 V	Ground connection relating to +Vs
2	+Vs	Voltage supply
3	Uout/lout	Output
4	n.c.	Do not use
5	n.c.	Do not use



### Flange connector M12, male, 8-pin, redundant version

Pin	Signals	Description
1	0 V1	Ground connection relating to +Vs1
2	+Vs1	Voltage supply 1
3	Uout1/lout1	Output 1
4	0 V2	Ground connection relating to +Vs2
5	+Vs2	Voltage supply 2
6	Uout2/lout2	Output 2
7	n.c.	Do not use
8	n.c.	Do not use



### Cable

Core colour	Signals	Description
white	0 V	Ground connection relating to +Vs
brown	+Vs	Voltage supply
green	Uout/lout	Output

Cable data: 3 x 0.5 mm<sup>2</sup>, 2 m

### Cable redundant version

Core colour	Signals	Description
white	0 V1+2	Ground connection relating to +Vs1 and +Vs2
brown	+Vs1	Voltage supply 1
green	Uout1/lout1	Output 1
yellow	+Vs2	Voltage supply 2
grey	Uout2/lout2	Output 2

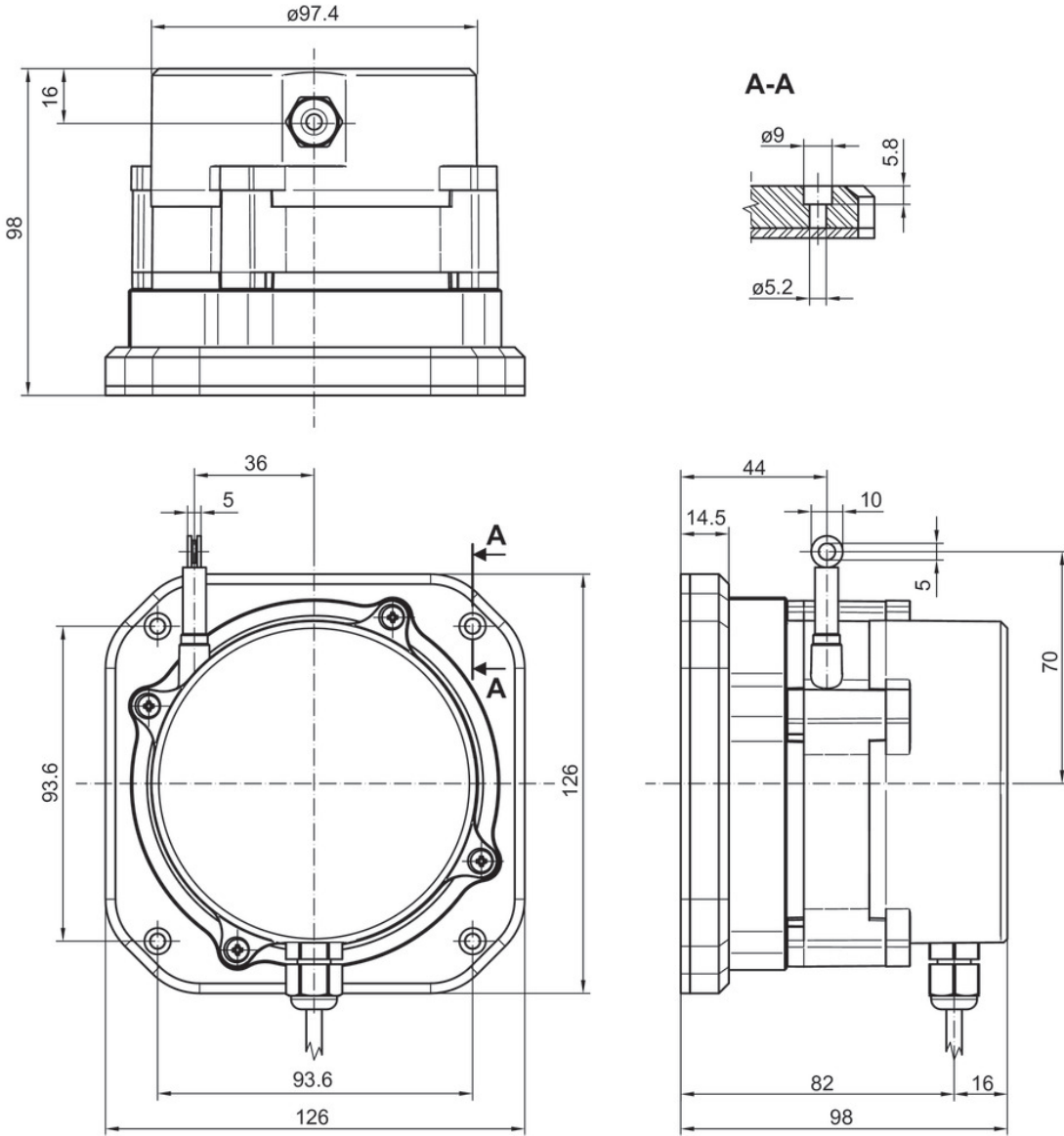
Cable data: 5 x 0.5 mm<sup>2</sup>, 2 m

# GCA12 - analog

Analog output

Measuring length absolute up to 12 m

## Dimensions



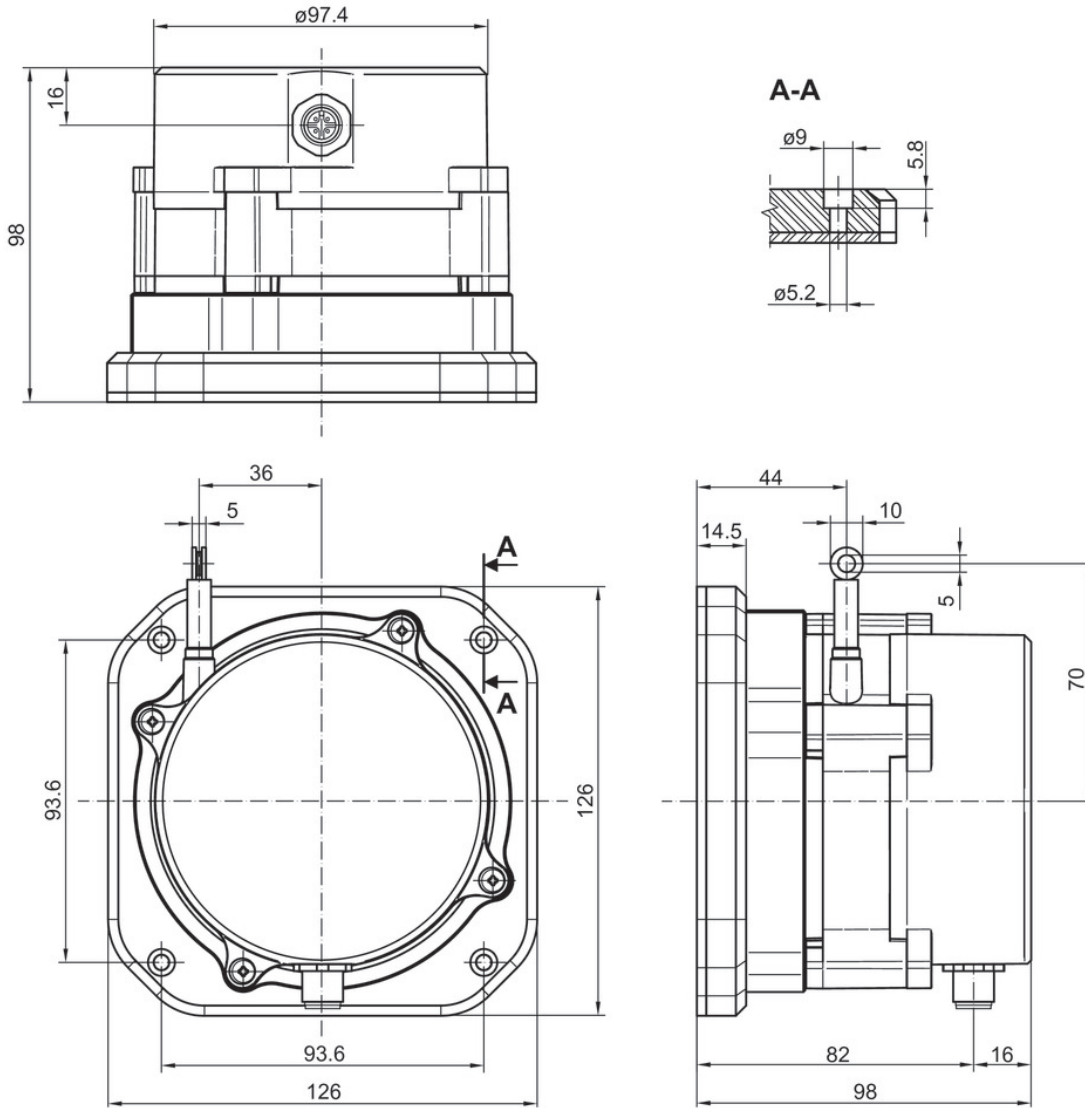
GCA12 with cable

# GCA12 - analog

Analog output

Measuring length absolute up to 12 m

## Dimensions



GCA12 with flange connector (male) M12

# GCA12 - analog

Analog output

Measuring length absolute up to 12 m

## Ordering reference

	GCA12-PP	###	.	R	C	#	.	##	0	.	A
<b>Product</b>	GCA12-PP										
<b>Measuring range</b>											
10 m		100									
12 m		120									
<b>Measuring wire fixation</b>											
Ring				R							
<b>Measuring wire diameter</b>											
0.70 mm					C						
<b>Connection</b>											
Cable radial, 2 m											L
Flange connector M12, 5-pin, radial, male contacts, CCW											N
Flange connector M12, 8-pin, radial, male contact, CCW redundant											B
<b>Voltage supply / interface</b>											
8...30 VDC / Analog 0.5...4.5 VDC											V3
12...30 VDC / Analog 0...10 VDC											V6
12...30 VDC / Analog 4...20 mA											C0
8...30 VDC / Analog 0.5...4.5 VDC redundant											R3
12...30 VDC / Analog 0...10 VDC redundant											R6
12...30 VDC / Analog 4...20 mA redundant											R0
<b>Resolution supplement</b>											
No option											0
<b>Operating temperature</b>											
-40...+85 °C											

A