

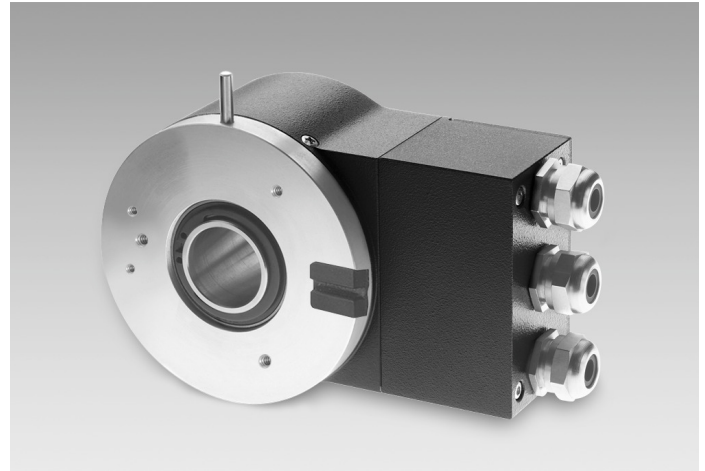
G1MMH

 Through hollow shaft up to $\varnothing 25.4$ mm

Optical multiturn encoders 13 bit ST / 16 bit MT, CANopen®, Profibus

Overview

- Encoder multiturn / bus cover
- Optical sensing method
- Resolution: singleturn 13 bit, multiturn 16 bit
- Through hollow shaft of 1"
- High flexibility in mounting and maintenance
- Resolution, baud rate, node ID optionally selectable
- Code continuity check optional by bus



Technical data

Technical data - electrical ratings

Voltage supply	10...30 VDC
Reverse polarity protection	Yes
Consumption w/o load	≤ 100 mA (24 VDC)
Initializing time typ.	250 ms after power on
Interface	CANopen® Profibus-DPV0
Function	Multiturn
Device address	Rotary switches in bus cover
Steps per revolution	≤ 8192 / 13 bit
Number of revolutions	≤ 65536 / 16 bit
Absolute accuracy	$\pm 0.025^\circ$
Sensing method	Optical
Code	Binary
Code sequence	CW/CCW programmable
Interference immunity	EN 61000-6-2
Emitted interference	EN 61000-6-4
Programmable parameters	Steps per revolution Number of revolutions Preset Scaling Rotating direction
Diagnostic function	Position or parameter error Multiturn sensing

Technical data - electrical ratings

Status indicator	DUO-LED integrated in bus cover
Approval	UL approval / E63076

Technical data - mechanical design

Size (flange)	$\varnothing 90$ mm
Shaft type	$\varnothing 16...25.4$ mm (through hollow shaft)
Protection EN 60529	IP 54 IP 65 (optional)
Operating speed	≤ 3800 rpm (mechanical) ≤ 6000 rpm (electric)
Starting torque	≤ 0.35 Nm (+25 °C)
Rotor moment of inertia	2000 gcm ²
Material	Housing: aluminium Flange: aluminium Bus cover: aluminium
Operating temperature	-25...+85 °C -40...+85 °C (optional)
Relative humidity	95 % non-condensing
Resistance	EN 60068-2-6 Vibration 10 g, 16-2000 Hz EN 60068-2-27 Shock 200 g, 6 ms
Weight approx.	890 g
Connection	Bus cover

Optional

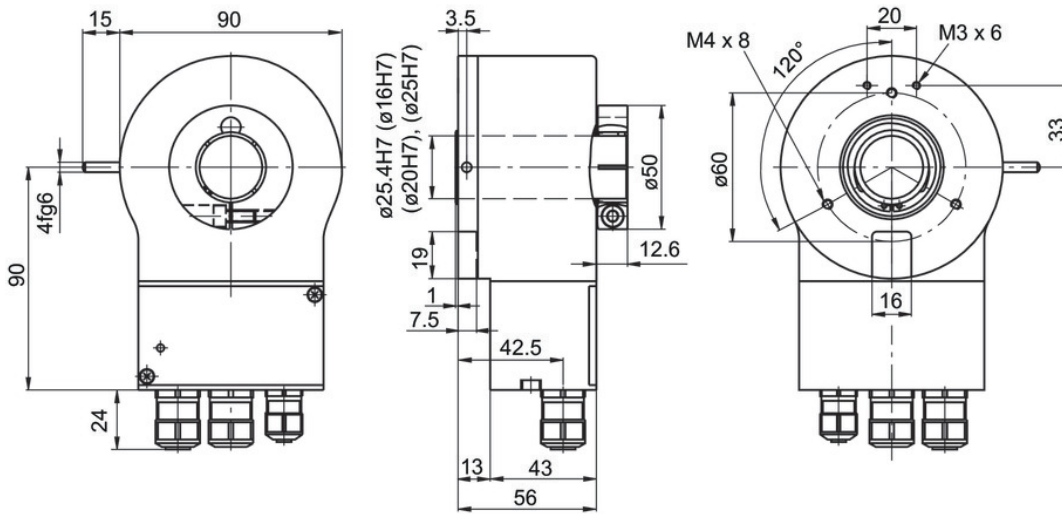
- Modular bus covers for SSI interface

G1MMH

Through hollow shaft up to $\varnothing 25.4$ mm

Optical multiturm encoders 13 bit ST / 16 bit MT, CANopen®, Profibus

Dimensions



G1MMH - CANopen®, Profibus

G1MMH

 Through hollow shaft up to $\varnothing 25.4$ mm

Optical multiturn encoders 13 bit ST / 16 bit MT, CANopen®, Profibus

Ordering reference

		G1MMH	.	#	20	####
Product						
		G1MMH				
Through hollow shaft						
ø25.4 mm, pin 15 mm					2	
ø20 mm, pin 15 mm					3	
ø16 mm, pin 15 mm					4	
ø25 mm, pin 15 mm					5	
Voltage supply						
10...30 VDC						20
Interface						
Profibus-DPV0 / cable gland						3P32
CANopen® / cable gland						5P32

Accessories

Mounting accessories

11034095	Rubber buffer element 18.5 mm long, as torque support (Z 119.037)
11034096	Set of adjusting angles as torque support (Z 119.039)
11034097	Shoulder screw M5 as torque support (Z 119.040)
10139345	Torque support by rubber buffer for encoders with 15 mm pin (Z 119.041)
10143969	Spring coupling for GX and G1 (Z 119.043)
11066120	Mounting kit 056
11210157	Clamping ring set 28.4/50x12 - stainless steel (Z 119.102)