

FUF 050B2002

Glass fiber optic cable

Article number: 10210371

Overview

- Diffuse type
- Sensing distance up to 200 mm
- Cylindrical smooth sensing head $\varnothing 6$ mm
- Metal jacket 50 cm long
- Operating temperature up to +250 °C
- For rugged fiber optic sensors FVDM 15



Picture similar

Technical data

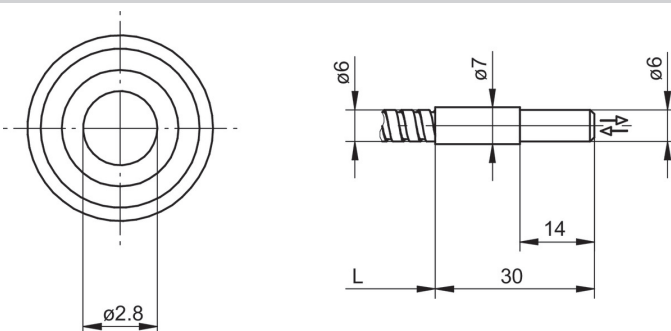
General data

Particular characteristics	Smooth sensing head
Operating principle	Diffuse type
Sensing distance T_w	200 mm
Fiber optic head	Cylindrical smooth
Operating temperature	-25 ... +250 °C
Exit angle	60°
Fiber optics can be shortened to length	No
Integrated lens	No
Adaptable lens	No
Infrared light compatibility (1450 nm)	Yes

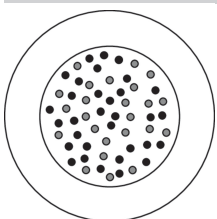
Mechanical data

Width / diameter (head)	6 mm
Height / length (head)	30 mm
Material (head)	Aluminum
Bending radius (fixed)	20 mm
Bending radius (mobile)	36 mm
Cable jacket diameter	6 mm
Material cable jacket	Brass chromium plated
Fiber cross section	3 mm ²
Material (fiber optic cable)	Glass
Length (fiber optic cable)	50 cm

Dimension drawing



Fiber arrangement



Accessories**Fitting fiber optic sensors**

10234639	FVDM 15N5103
10122368	FVDM 15N5103/S14
10234520	FVDM 15P5103
10239451	FVDM 15P5103/S14
10234519	FVDM 15P5130
10124952	FVDM 15P5130/S14

Mounting accessories

10103230	Replacement cap nut for fiber optics series 15
----------	--