

# FSF 025B4004

Glass fiber optic cable

Article number: 10217048

## Overview

- Through-beam type
- Actual range up to 160 mm
- Cylindrical smooth sensing head  $\varnothing 5$  mm, side view
- Metal jacket 25 cm long
- Operating temperature up to +120 °C
- For rugged fiber optic sensors FVDM 15



Picture similar

## Technical data

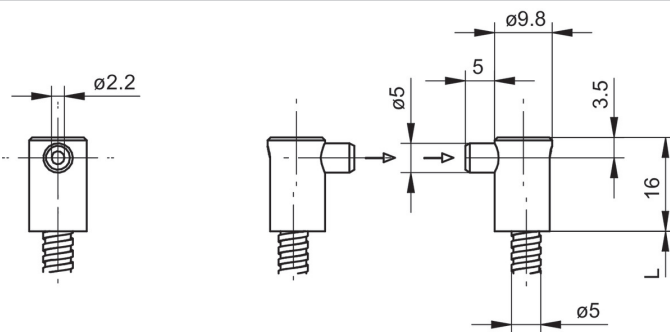
### General data

Particular characteristics	Smooth sensing head Side view
Operating principle	Through-beam type
Actual range Sb	160 mm
Fiber optic head	Cylindrical smooth, side view
Operating temperature	-25 ... +120 °C
Exit angle	60°
Fiber optics can be shortened to length	No
Integrated lens	No
Adaptable lens	No
Infrared light compatibility (1450 nm)	Yes

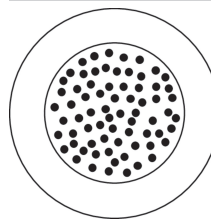
### Mechanical data

Width / diameter (head)	9.8 mm
Height / length (head)	16 mm
Material (head)	Aluminum
Bending radius (fixed)	15 mm
Bending radius (mobile)	30 mm
Cable jacket diameter	5 mm
Material cable jacket	Brass chromium plated
Fiber cross section	4 mm <sup>2</sup>
Material (fiber optic cable)	Glass
Length (fiber optic cable)	25 cm

## Dimension drawing



## Fiber arrangement



## Accessories

### Fitting fiber optic sensors

10234639	FVDM 15N5103
10122368	FVDM 15N5103/S14
10234520	FVDM 15P5103
10239451	FVDM 15P5103/S14
10234519	FVDM 15P5130
10124952	FVDM 15P5130/S14

### Mounting accessories

10103230	Replacement cap nut for fiber optics series 15
----------	--