

FSDM 12D9601

Through beam sensors - miniature

Article number: 10234245

Overview

- emitter
- through beam sensor
- 6 m
- pulsed red LED
- cable 3 pin, 2 m
- -25 ... 65 °C
- IP 67



Picture similar



Technical data

General data

Type	Through beam sensor
Emitter / receiver	Emitter
Light source	Pulsed red LED
Actual range Sb	6 m
Nominal range Sn	7.5 m
Wave length	660 nm

Electrical data

Voltage supply range +Vs	10 ... 30 VDC
Current consumption max. (no load)	30 mA
Current consumption typ.	18 mA
Reverse polarity protection	Yes

Mechanical data

Width / diameter	12.4 mm
Height / length	35 mm
Depth	35 mm
Type	Rectangular
Housing material	Die-cast zinc
Front (optics)	PMMA
Connection types	Cable 3 pin, 2 m

Ambient conditions

Operating temperature	-25 ... +65 °C
Protection class	IP 67

Remarks

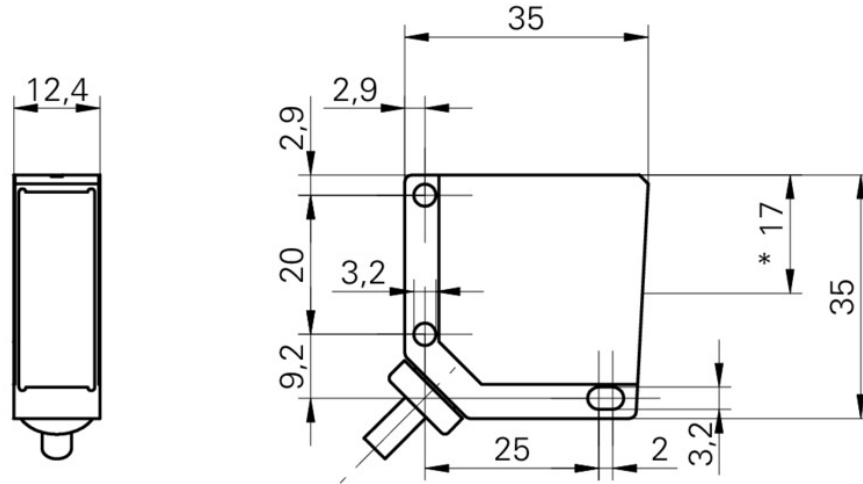
- Emitter without LED

FSDM 12D9601

Through beam sensors - miniature

Article number: 10234245

Technical drawings



Connection diagram

