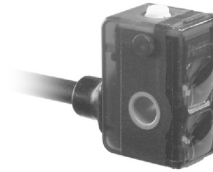


Overview

- emitter
- through beam sensor
- 2 m
- pulsed red LED
- cable rear side, 2 m
- -20 ... 50 °C
- IP 65



Picture similar



Technical data

General data

Type	Through beam sensor
Emitter / receiver	Emitter
Light source	Pulsed red LED
Actual range Sb	2 m
Nominal range Sn	2.5 m
Wave length	660 nm

Electrical data

Voltage supply range +Vs	10 ... 30 VDC
Current consumption max. (no load)	20 mA
Current consumption typ.	12 mA
Reverse polarity protection	Yes

Mechanical data

Width / diameter	8 mm
Height / length	16.2 mm
Depth	10.8 mm
Type	Rectangular
Housing material	Plastic (PMMA, MABS, PA)
Front (optics)	PMMA
Connection types	Cable rear side, 2 m

Ambient conditions

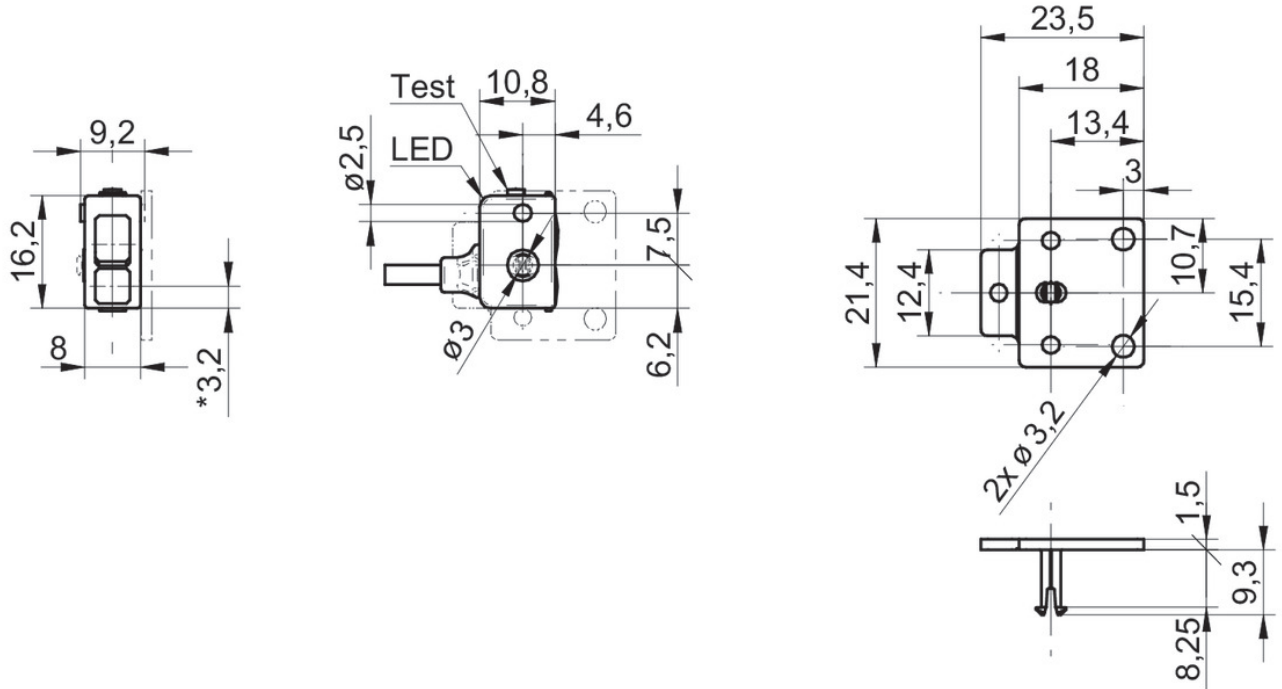
Operating temperature	-20 ... +50 °C
Protection class	IP 65

F5CK 07D9601

Through beam sensors - subminiature

Article number: 10151064

Technical drawings



Connection diagram

