

产品一览

- Through-beam type (array)
- Actual range up to 3400 mm
- Rectangular sensing head, array width 18 mm, with integrated lens for fine line
- Plastic fiber 200 cm long, with bend protection
- Operating temperature up to +70 °C
- For compact fiber optic sensors FVDK 10 and OF10



图片与实际产品类似

技术数据

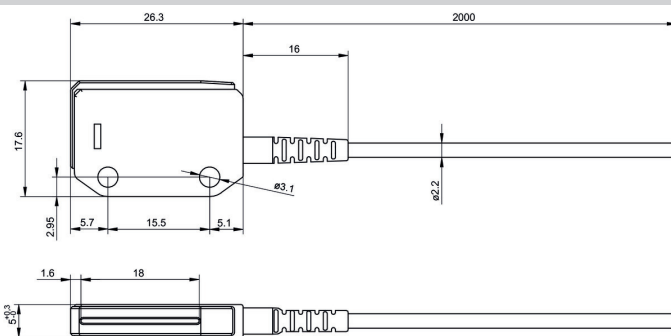
基本参数

Operating principle	Through-beam type
Actual range Sb	400 mm
感应头类型 (光纤)	矩形
工作温度	-55 ... +70 °C
出光角	3°
Fiber optics can be shortened to length	Yes
Integrated lens	Yes
Adaptable lens	No
Infrared light compatibility (1450 nm)	No
Smallest object recognizable	0,1 mm

机械参数

Diameter Fiber	1 mm
Array width	18 mm
宽度 / 直径 (感应头)	17,6 mm
高度 / 长度 (感应头)	26,3 mm
深度 (感应头)	5 mm
感应头材质	不锈钢
Bending radius (fixed)	25 mm
电缆护套直径	2,2 mm
电缆护套材质	PE
光纤材质	塑料
长度 (光纤)	200 cm

尺寸图



Actual range diagram

	Mode	Actual Range Sb [mm]
OF10	Ultra-High-Speed	1326
	High-Speed	1733
	Standard	1988
	High-Resolution	3400
	Long-Range	3400
FVDK 10x6	Fast	1112
	Semi Fast	1853
	Normal	2118
FVDK 10x5	Potentiometer	240

附件

Fitting fiber optic sensors

11252204	OF10.FR-GW2J.B2NV/A014
11244386	OF10.FR-GW2J.B2CV/A014
11224111	OF10.FR-PW1B.B2N
11224008	OF10.FR-NW1B.B2CV
11224009	OF10.FR-NW1B.B2N
11224110	OF10.FR-PW1B.B2CV
11244384	OF10.FR-GW2J.B2N/A014
10162867	FVDK 10N5101
10162865	FVDK 10N5101/S35A
10162866	FVDK 10P5101
10162864	FVDK 10P5101/S35A
11045446	FVDK 10N66Y0
11045448	FVDK 10N66Y0/S35A
11045460	FVDK 10N66YR
11045445	FVDK 10P66Y0
11045447	FVDK 10P66Y0/S35A
11045449	FVDK 10P66YR
11214490	FVDK 10P66ZR
11214493	FVDK 10P66Z0/S35A
11214478	FVDK 10P66Z0
11214492	FVDK 10N66ZR
11214494	FVDK 10N66Z0/S35A
11214479	FVDK 10N66Z0
11045462	FVDK 10N66YM
11045464	FVDK 10N66YS
11045461	FVDK 10P66YM
11045463	FVDK 10P66YS

安装附件

11708552	Cutting tool for plastic fiber optics
10119911	Mounting bracket Ø 2,2 mm