

**Overview**

- retro-reflective sensor
- 3 m
- pulsed red LED
- PNP
- no
- cable 4 pin, 2 m
- -30 ... 60 °C
- IP 68/69K & proTect+



Picture similar



**Technical data**

**General data**

Type	Retro-reflective sensor
Special type	Hygienic design
Light source	Pulsed red LED
Actual range Sb	3 m
Nominal range Sn	3,5 m
Polarization filter	Yes
Alignment / soiled lens indicator	Flashing light indicator
Light indicator	LED yellow
Sensitivity adjustment	No
Wave length	660 nm
Suppression of reciprocal influence	Yes
Approvals/certificates	Ecolab Adapted from EHEDG

**Electrical data**

Response time / release time	< 1 ms
Voltage supply range +Vs	10 ... 30 VDC
Current consumption max. (no load)	25 mA

**Electrical data**

Current consumption typ.	20 mA
Voltage drop Vd	< 1,8 VDC
Output function	Light / dark operate
Output circuit	PNP
Output current	< 100 mA
Short circuit protection	Yes
Reverse polarity protection	Yes

**Mechanical data**

Width / diameter	19,6 mm
Height / length	52,2 mm
Depth	34,3 mm
Type	Rectangular
Housing material	Stainless steel 1.4404 (V4A)
Front (optics)	PMMA
Connection types	Cable 4 pin, 2 m

**Ambient conditions**

Operating temperature	-30 ... +60 °C
Protection class	IP 68/69K & proTect+
Storage temperature	-30 ... +70 °C

**Remarks**

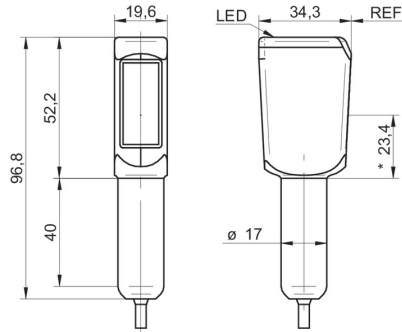
- Sensor FDA compliant, EHEDG certified and Ecolab approved

# FPDH 14P5101

Retro-reflective sensors - hygiene

Article number: 11096620

## Dimension drawing



## Connection diagram

