

**Overview**

- light barrier
- 200 ... 800 mm on V4A
- pulsed point source LED
- push-pull
- Teach-in
- flylead connector M12, L=300 mm
- -30 ... 60 °C
- IP 68/69K & proTect+



Picture similar



**Technical data**

**General data**

|                                   |                              |
|-----------------------------------|------------------------------|
| Type                              | Light barrier                |
| Special type                      | Hygienic design              |
| Version                           | Foil detection               |
| Light source                      | Pulsed point source LED      |
| Background position Sde           | 200 ... 800 mm on V4A        |
| Minimal signal attenuation        | 12 %                         |
| Alignment / soiled lens indicator | Flashing light indicator     |
| Power on indication               | LED green                    |
| Output indicator                  | LED red                      |
| Sensing distance adjustment       | Teach-in                     |
| Wave length                       | 660 nm                       |
| Approvals/certificates            | Ecolab<br>Adapted from EHEDG |

**Electrical data**

|                                    |               |
|------------------------------------|---------------|
| Response time / release time       | < 1,8 ms      |
| Voltage supply range +Vs           | 10 ... 30 VDC |
| Current consumption max. (no load) | 40 mA         |

**Electrical data**

|                             |                      |
|-----------------------------|----------------------|
| Current consumption typ.    | 35 mA                |
| Voltage drop Vd             | < 2 VDC              |
| Output function             | Light / dark operate |
| Output circuit              | Push-pull            |
| Output current              | < 100 mA             |
| Short circuit protection    | Yes                  |
| Reverse polarity protection | Yes                  |

**Mechanical data**

|                  |                                 |
|------------------|---------------------------------|
| Width / diameter | 19,6 mm                         |
| Height / length  | 52,2 mm                         |
| Depth            | 34,3 mm                         |
| Type             | Rectangular                     |
| Housing material | Stainless steel 1.4404 (V4A)    |
| Front (optics)   | PMMA                            |
| Connection types | Flylead connector M12, L=300 mm |

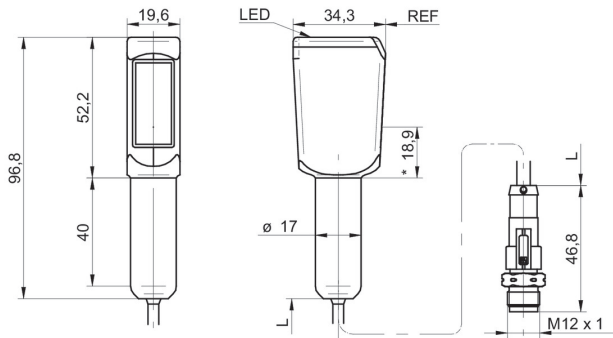
**Ambient conditions**

|                       |                      |
|-----------------------|----------------------|
| Protection class      | IP 68/69K & proTect+ |
| Operating temperature | -30 ... +60 °C       |
| Storage temperature   | -30 ... +70 °C       |

**Remarks**

- Sensor FDA compliant, EHEDG certified and Ecolab approved
- Sensitivity adjustable: via Teach-in wire input

**Dimension drawing**



- \* emitter axis

**Connection diagram**

