

FHDK 14N5104/S35A

Diffuse sensors with background suppression - standard

Article number: 11001035

Overview

- background suppression
- 30 ... 500 mm
- pulsed red LED
- NPN
- mechanical, 10 turn
- connector M8 4 pin
- -25 ... 65 °C
- IP 67



Picture similar



Technical data

General data

Type	Background suppression
Light source	Pulsed red LED
Sensing distance Tw	30 ... 500 mm
Sensing range Tb (at Tw max.)	30 ... 500 mm
Sensing range Tb (at Tw min.)	5 ... 30 mm
Alignment / soiled lens indicator	Flashing light indicator
Light indicator	LED yellow
Sensing distance adjustment	Mechanical, 10 turn
Wave length	660 nm
Suppression of reciprocal influence	Yes

Electrical data

Response time / release time	< 5 ms
Voltage supply range +Vs	10 ... 30 VDC
Current consumption max. (no load)	30 mA

Electrical data

Current consumption typ.	25 mA
Voltage drop Vd	< 1.8 VDC
Output function	Light / dark operate
Output circuit	NPN
Output current	< 100 mA
Short circuit protection	Yes
Reverse polarity protection	Yes

Mechanical data

Width / diameter	14.8 mm
Height / length	43 mm
Depth	31 mm
Type	Rectangular
Housing material	Plastic (ASA, MABS)
Front (optics)	PMMA
Connection types	Connector M8 4 pin

Ambient conditions

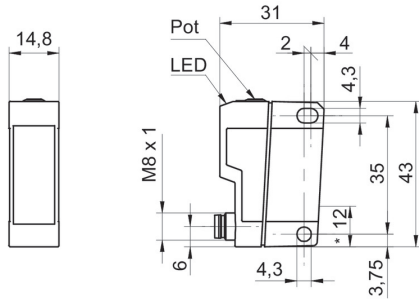
Protection class	IP 67
Operating temperature	-25 ... +65 °C

FHDK 14N5104/S35A

Diffuse sensors with background suppression - standard

Article number: 11001035

Dimension drawing



- * emitter axis

Connection diagram

