

FHDH 14G6901/KS34A/IO

Diffuse sensors with background suppression - hygiene

Article number: 11096609

Overview

- background suppression
- 50 ... 400 mm
- pulsed red LED
- push-pull
- IO-Link
- Teach-in
- flylead connector M12, L=300 mm
- -30 ... 60 °C
- IP 68/69K & proTect+



Picture similar



Technical data

General data

Type	Background suppression
Special type	Hygienic design
Light source	Pulsed red LED
Sensing distance Tw	50 ... 400 mm
Sensing range Tb (at Tw max.)	20 ... 400 mm
Sensing range Tb (at Tw min.)	20 ... 50 mm
Power on indication	LED green
Output indicator	LED red
Sensitivity adjustment	IO-Link
Sensing distance adjustment	Teach-in
Wave length	660 nm
Approvals/certificates	Ecolab Adapted from EHEDG

Electrical data

Response time / release time	< 1,8 ms
Voltage supply range +Vs	10 ... 30 VDC
Current consumption max. (no load)	40 mA

Electrical data

Current consumption typ.	35 mA
Voltage drop Vd	< 2 VDC
Output function	Light / dark operate
Output circuit	Push-pull
Output current	< 100 mA
Short circuit protection	Yes
Reverse polarity protection	Yes

Mechanical data

Width / diameter	19,6 mm
Height / length	52,2 mm
Depth	34,3 mm
Type	Rectangular
Housing material	Stainless steel 1.4404 (V4A)
Front (optics)	PMMA
Connection types	Flylead connector M12, L=300 mm

Ambient conditions

Protection class	IP 68/69K & proTect+
Operating temperature	-30 ... +60 °C
Storage temperature	-30 ... +70 °C

FHDH 14G6901/KS34A/IO

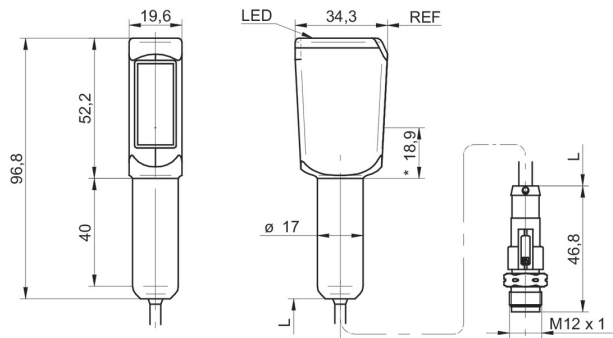
Diffuse sensors with background suppression - hygiene

Article number: 11096609

Remarks

- Sensor FDA compliant, EHEDG certified and Ecolab approved
- IO-Link: output signal, service status, object presence
- Sensitivity adjustable: via Teach-in wire input

Dimension drawing



- * emitter axis

Connection diagram

