

Overview

- receiver
- through beam sensor
- 2 m
- PNP
- Teach-in
- flylead connector M8 4 pin, L=200 mm
- -20 ... 50 °C
- IP 65



Picture similar



Technical data

General data		Electrical data	
Type	Through beam sensor	Output function	Light / dark operate
Emitter / receiver	Receiver	Output circuit	PNP
Actual range Sb	2 m	Output current	< 100 mA
Nominal range Sn	2.5 m	Short circuit protection	Yes
Alignment / soiled lens indicator	Flashing light indicator	Reverse polarity protection	Yes
Light indicator	LED green	Mechanical data	
Output indicator	LED yellow	Width / diameter	8 mm
Sensitivity adjustment	Teach-in	Height / length	16.2 mm
Electrical data		Depth	10.8 mm
Response time / release time	< 0.5 ms	Type	Rectangular
Voltage supply range +Vs	10 ... 30 VDC	Housing material	Plastic (PMMA, MABS, PA)
Current consumption max. (no load)	20 mA	Front (optics)	PMMA
Current consumption typ.	20 mA	Connection types	Flylead connector M8 4 pin, L=200 mm
Voltage drop Vd	< 1.8 VDC	Ambient conditions	
		Operating temperature	-20 ... +50 °C
		Protection class	IP 65

Remarks

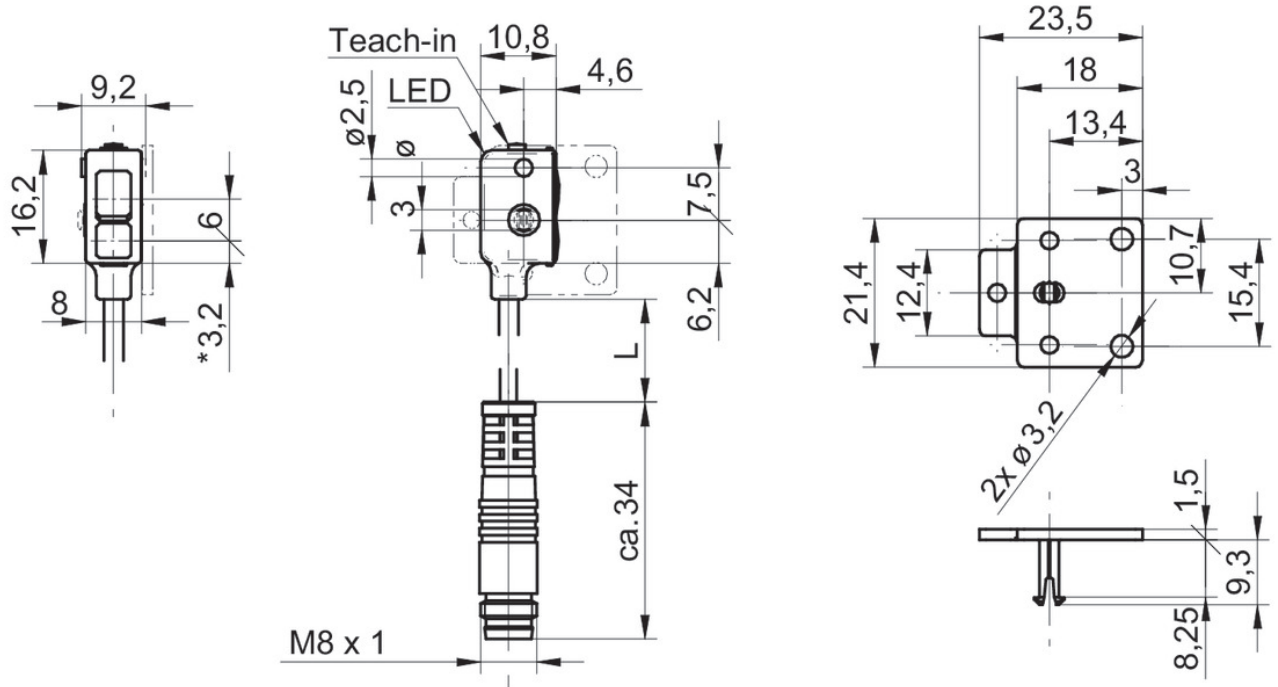
- Sensitivity adjustable: via Teach-in button or Teach-in wire input

FEDK 07P6901/KS35A

Through beam sensors - subminiature

Article number: 10151071

Technical drawings



Connection diagram

