

EN580E.ML-T - BiSS

Through hollow shaft

Optical multiturn encoders 13 bit ST / 12 bit MT

Overview

- Absolute encoder multiturn
- Optical sensing method
- Resolution: singleturn 13 bit, multiturn 12 bit
- Maximum resistant against magnetic fields
- High connection flexibility thanks to flexible M12 and flylead connector M23



Technical data

Technical data - electrical ratings

Voltage supply	8...30 VDC
Reverse polarity protection	Yes
Short-circuit proof	Yes
Consumption w/o load	≤80 mA (24 VDC)
Interface	BiSS C Certified
Function	Multiturn
Steps per revolution	8192 / 13 bit
Number of revolutions	4096 / 12 bit
Absolute accuracy	±0.03 °
Sensing method	Optical
Code	Binary
Code sequence	CW: ascending values with clockwise sense of rotation (looking at flange)
Input signals	BiSS clock (MA) Zero setting input Counting direction
Output stages	BiSS data: Linedriver RS422
Output signals	BiSS data (SLO)
Clock frequency	80...10000 kHz
Interference immunity	EN 61000-6-2
Emitted interference	EN 61000-6-4
Approval	UL-Listing: E217823

Technical data - mechanical design

Size (flange)	ø58 mm
Shaft type	ø12 mm (through hollow shaft) ø14 mm (through hollow shaft)
Protection EN 60529	IP 54 (flange side) IP 65 (housing side)
Operating speed	≤6000 rpm (+25 °C)
Starting acceleration	≤1000 U/s ²
Starting torque	≤0.04 Nm
Motor shaft tolerance	± 0.2 mm (axial offset) ≤ 0.1 mm (radial offset) ≤ 0.1 mm (concentricity)
Material	Housing: aluminium Shaft: stainless steel
Operating temperature	-25...+85 °C (see general information)
Relative humidity	95 % non-condensing
Resistance	IEC 60068-2-6 Vibration ±0.75 mm - 10-58 Hz, 10 g - 58-2000 Hz EN 60068-2-27 Shock 100 g, 11 ms
Weight approx.	400 g
Connection	Connector M12, 8-pin, flexible Flange connector M23, 12-pin Flylead connector M23, 12-pin, tangential, length 300 mm

EN580E.ML-T - BiSS

Through hollow shaft

Optical multiturn encoders 13 bit ST / 12 bit MT

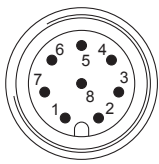
General information

Self-heating correlated to installation and ambient conditions as well as to electronics and supply voltage must be considered for precise thermal dimensioning. Operating the encoder close to the maximum limits requires measuring the real prevailing temperature at the encoder flange.

Terminal assignment

Connector M12, 8-pin

Pin	Assignment
1	0 V
2	+Vs
3	Clock+
4	Clock-
5	Data+
6	Data-
7	SET
8	DIR

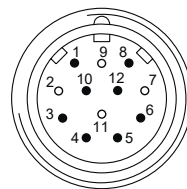


Terminal assignment

Flylead connector M23, 12-pin, male contacts, CCW

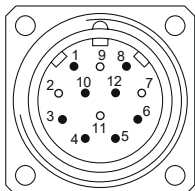
Pin	Assignment
1	Data-
2	–
3	SET
4	DIR
5	Clock+
6	Clock-
7	–
8	Data+
9	–
10	0 V
11	–
12	+Vs

Screen: connected to housing



Flange socket M23, 12-pin, male contact, CCW

Pin	Assignment
1	Data-
2	–
3	SET
4	DIR
5	Clock+
6	Clock-
7	–
8	Data+
9	–
10	0 V
11	–
12	+Vs



Terminal significance

SET	Zero setting input. Input for zero setting at any position. The zero setting operation is triggered by a high pulse and has to be in line with the selected direction of rotation (DIR). Impulse duration >100 ms. Connect to 0 V after zero setting for maximum interference immunity.
DIR	Counting direction input. This input is standard on high. DIR-High means ascending output data with clockwise shaft rotation when looking at flange. DIR-Low means ascending values with counterclockwise shaft rotation when looking at flange. For maximum interference immunity connect to +Vs respectively 0 V depending on counting direction.

Trigger level

BiSS C	Circuit
BiSS C-Clock	RS422 with terminating resistor 120 Ω
BiSS C-Data	RS422

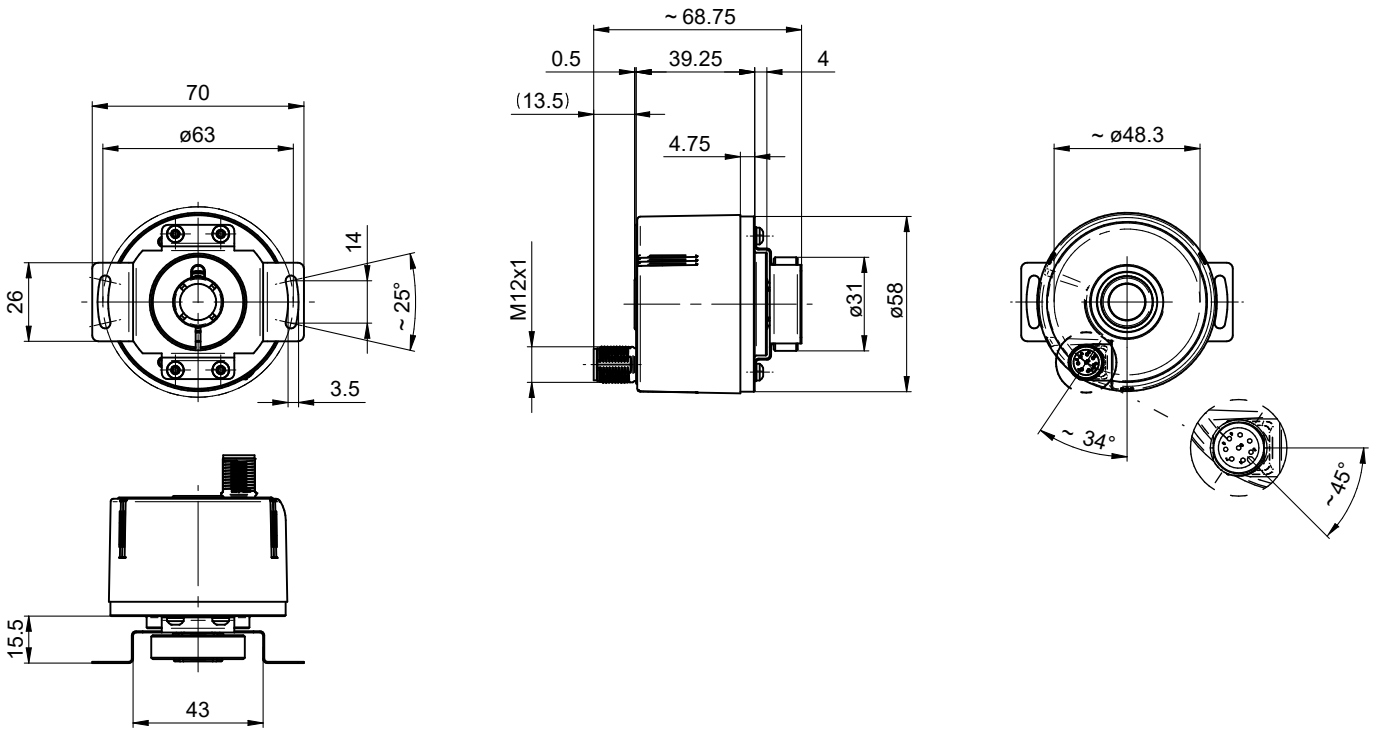
Control inputs	Input circuit
Input level High	>0.7 +Vs
Input level Low	<0.3 +Vs
Input resistance	10 kΩ

EN580E.ML-T - BiSS

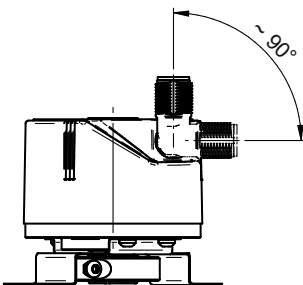
Through hollow shaft

Optical multiturn encoders 13 bit ST / 12 bit MT

Dimensions



Through hollow shaft, connector M12



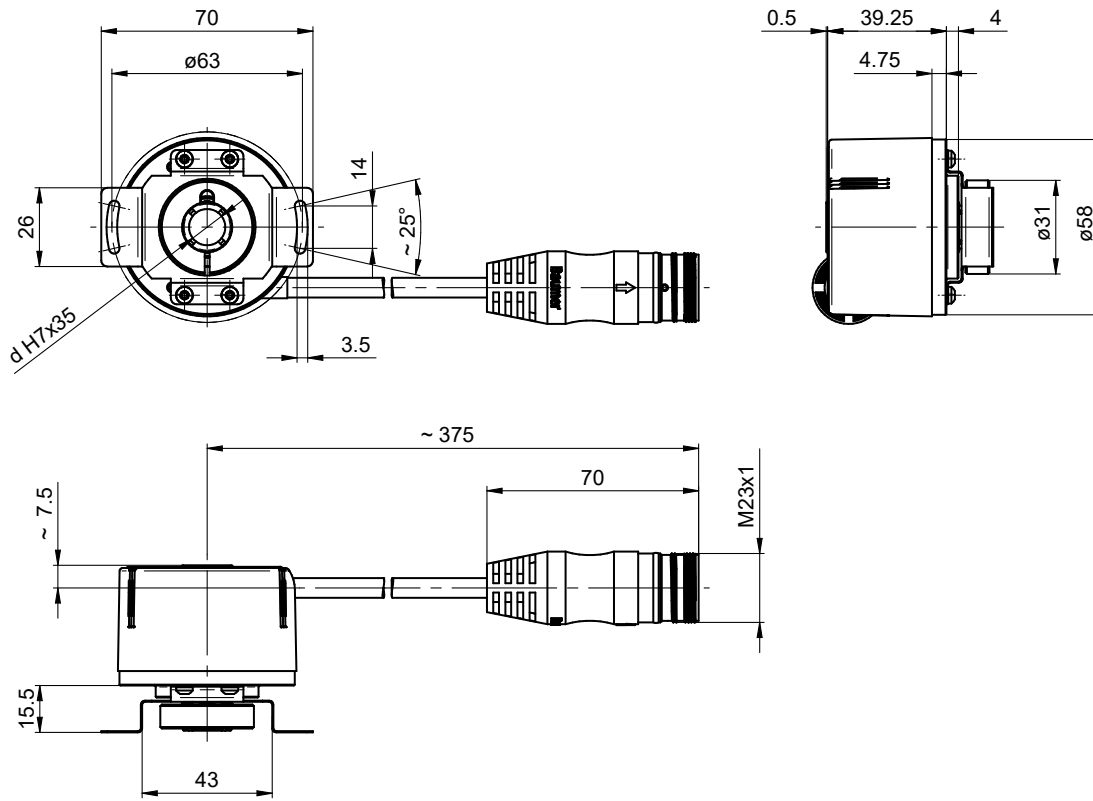
Through hollow shaft, flexible connector M12

EN580E.ML-T - BiSS

Through hollow shaft

Optical multiturn encoders 13 bit ST / 12 bit MT

Dimensions



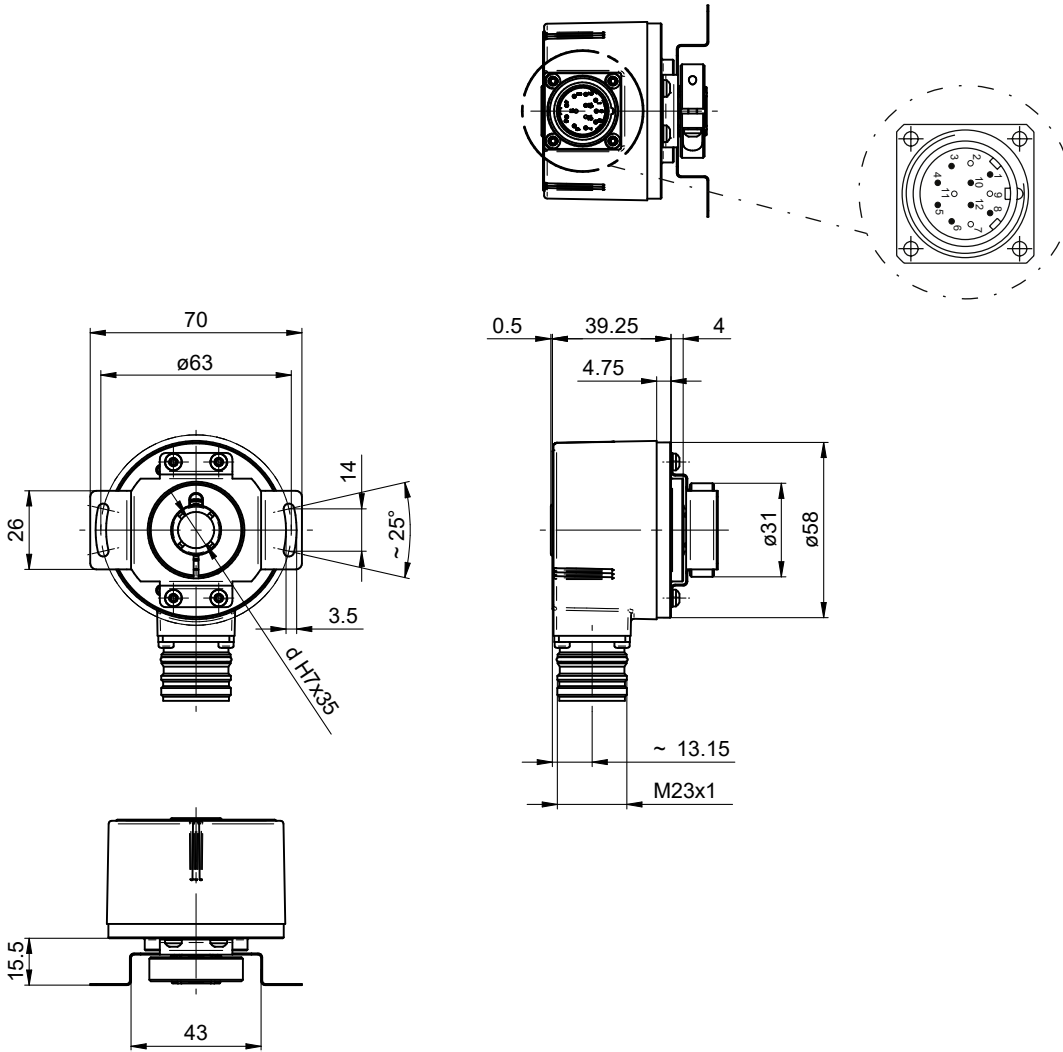
Through hollow shaft, flylead connector M23

EN580E.ML-T - BiSS

Through hollow shaft

Optical multiturn encoders 13 bit ST / 12 bit MT

Dimensions



Through hollow shaft, flange socket M23

EN580E.ML-T - BiSS

Through hollow shaft

Optical multiturn encoders 13 bit ST / 12 bit MT

Ordering reference

	EN	580	E	.	M	L	-	T	T	##	.	G	##	B1	.	13	12	0	.	H
Product	EN	580	E	.	M	L	-	T	T	##	.	G	##	B1	.	13	12	0	.	H
Encoder	EN																			
Series		580																		
580		580																		
Focus			E																	
Essential			E																	
Function					M															
Multiturn					M															
Sensing						L														
Optical						L														
Shaft type								T												
Through hollow shaft								T												
Flange (Hollow shaft)									T											
With stator coupling ø63 mm									T											
Through hollow shaft																				
ø12 mm, clamping ring, A-side										12										
ø14 mm, clamping ring, A-side										14										
Protection class												G								
Flange: IP 54, Housing: IP 65												G								
Connection																				
Connector moveable, M12, 8-pin, male contacts, CCW (A-cod)													A1							
Flange socket radial, M23, 12-pin, male contacts, CCW													B1							
Flylead connector, M23, 12-pin, male contacts, CCW, tangential, 0.3 m													E1							
Voltage supply / interface																				
8...30 VDC, BiSS C binary														B1						
Resolution Singleturn																				
13 Bit																				13
Resolution Multiturn																				
12 Bit																				12
Resolution supplement																				
No option																				0
Operating temperature																				
-25...+85 °C																				H

Accessories

Mounting accessories

11066083	Torque arm, 1-arm (mounting kit 006)
11073119	Torque arm, 1-arm (mounting kit 021)
11067367	Torque arm, 1-arm (mounting kit 028)
11113210	Torque arm, 1-arm (mounting kit 047)
11124300	Torque arm, 1-arm (mounting kit 048)
11155325	Rigid mounting plate, 1-arm (mounting kit 099)
11730156	Stator coupling, 2-arm - EN5xx / ø68 mm / M3
11730157	Stator coupling, 2-arm - EN5xx / ø68 mm / M4
11730158	Stator coupling, 2-arm - EN5xx / ø73 mm / M3
11721627	Stator coupling, 2-arm (mounting kit 207)