

EN580E.ML-SC - SSI

Solid shaft with clamping flange

Optical multiturn encoders 13 bit ST / 12 bit MT

Overview

- Absolute encoder multiturn
- Optical sensing method
- Resolution: singleturn 13 bit, multiturn 12 bit
- Clamping flange
- Maximum resistant against magnetic fields
- High connection flexibility thanks to flexible M12 and flylead connector M23



Technical data

Technical data - electrical ratings

| | |
|-----------------------------|---|
| Voltage supply | 8...30 VDC |
| Reverse polarity protection | Yes |
| Short-circuit proof | Yes |
| Consumption w/o load | ≤80 mA (24 VDC) |
| Interface | SSI |
| Function | Multiturn |
| Steps per revolution | 8192 / 13 bit |
| Number of revolutions | 4096 / 12 bit |
| Absolute accuracy | ±0.03 ° |
| Sensing method | Optical |
| Code | Gray or binary |
| Code sequence | CW: ascending values with clockwise sense of rotation (looking at flange) |
| Input signals | SSI clock Zero setting input Counting direction |
| Output stages | SSI data: Linedriver RS422 |
| Output signals | SSI data |
| Interference immunity | EN 61000-6-2 |
| Emitted interference | EN 61000-6-4 |
| Approval | UL-Listing: E217823 |

Technical data - mechanical design

| | |
|-----------------------|--|
| Size (flange) | ø58 mm |
| Shaft type | ø10 x 20 mm, solid shaft with flat |
| Flange | Clamping flange |
| Protection EN 60529 | IP 54 (flange side) IP 65 (housing side) |
| Operating speed | ≤6000 rpm (+25 °C) |
| Starting acceleration | ≤1000 U/s ² |
| Starting torque | ≤0.02 Nm |
| Admitted shaft load | ≤40 N axial ≤80 N radial |
| Material | Housing: aluminium Shaft: stainless steel |
| Operating temperature | -25...+85 °C (see general information) |
| Relative humidity | 95 % non-condensing |
| Resistance | EN 60068-2-6 Vibration ±4 mm - 10-61 Hz, 30 g - 61-2000 Hz EN 60068-2-27 Shock 100 g, 6 ms |
| Weight approx. | 400 g |
| Connection | Connector M12, 8-pin, flexible Flange connector M23, 12-pin Flylead connector M23, 12-pin, tangential, length 300 mm |

EN580E.ML-SC - SSI

Solid shaft with clamping flange

Optical multiturn encoders 13 bit ST / 12 bit MT

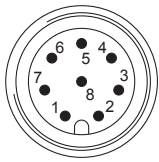
General information

Self-heating correlated to installation and ambient conditions as well as to electronics and supply voltage must be considered for precise thermal dimensioning. Operating the encoder close to the maximum limits requires measuring the real prevailing temperature at the encoder flange.

Terminal assignment

Connector M12, 8-pin

| Pin | Assignment |
|-----|------------|
| 1 | 0 V |
| 2 | +Vs |
| 3 | Clock+ |
| 4 | Clock- |
| 5 | Data+ |
| 6 | Data- |
| 7 | SET |
| 8 | DIR |

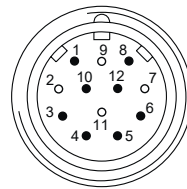


Terminal assignment

Flylead connector M23, 12-pin, male contacts, CCW

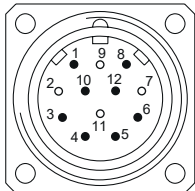
| Pin | Assignment |
|-----|------------|
| 1 | Data- |
| 2 | – |
| 3 | SET |
| 4 | DIR |
| 5 | Clock+ |
| 6 | Clock- |
| 7 | – |
| 8 | Data+ |
| 9 | – |
| 10 | 0 V |
| 11 | – |
| 12 | +Vs |

Screen: connected to housing



Flange socket M23, 12-pin, male contact, CCW

| Pin | Assignment |
|-----|------------|
| 1 | Data- |
| 2 | – |
| 3 | SET |
| 4 | DIR |
| 5 | Clock+ |
| 6 | Clock- |
| 7 | – |
| 8 | Data+ |
| 9 | – |
| 10 | 0 V |
| 11 | – |
| 12 | +Vs |



Terminal significance

| | |
|-----|---|
| SET | Zero setting input. Input for zero setting at any position. The zero setting operation is triggered by a high pulse and has to be in line with the selected direction of rotation (DIR). Impulse duration >100 ms. Connect to 0 V after zero setting for maximum interference immunity. |
| DIR | Counting direction input. This input is standard on high. DIR-High means ascending output data with clockwise shaft rotation when looking at flange. DIR-Low means ascending values with counterclockwise shaft rotation when looking at flange. For maximum interference immunity connect to +Vs respectively 0 V depending on counting direction. |

Trigger level

| SSI | Circuit |
|-----------|---------------------------------------|
| SSI-Clock | RS422 with terminating resistor 120 Ω |
| SSI-Data | RS422 |

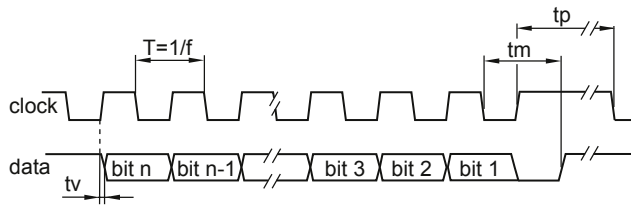
| Control inputs | Input circuit |
|------------------|---------------|
| Input level High | >0.7 +Vs |
| Input level Low | <0.3 +Vs |
| Input resistance | 10 kΩ |

EN580E.ML-SC - SSI

Solid shaft with clamping flange

Optical multiturn encoders 13 bit ST / 12 bit MT

Data transfer



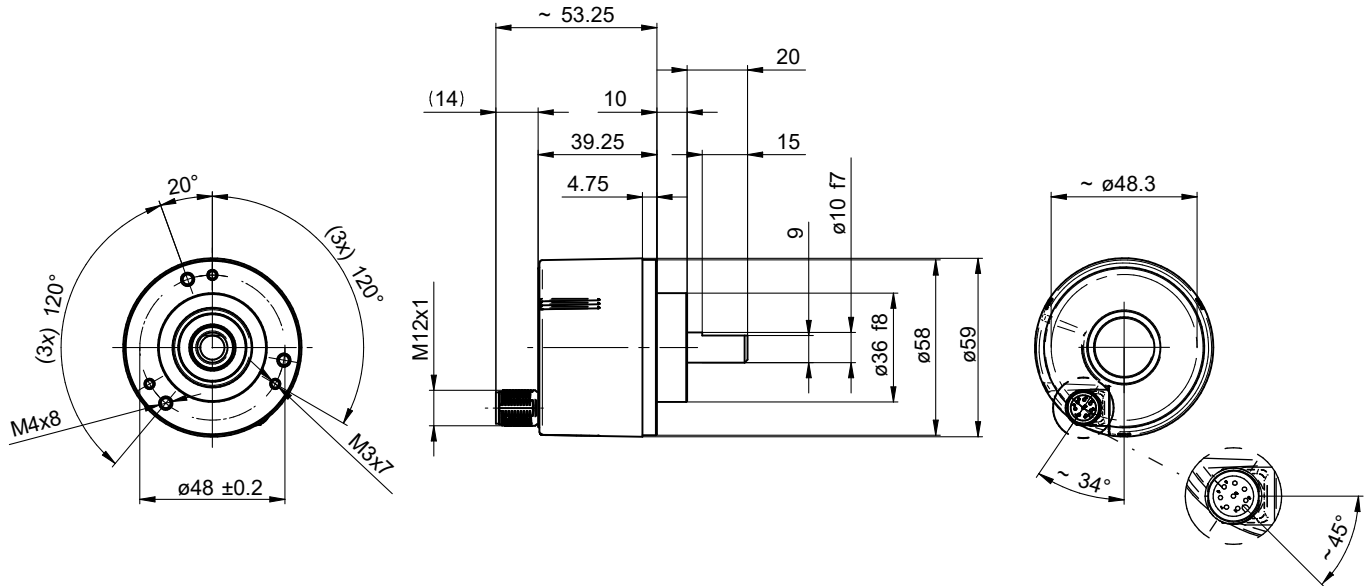
| | |
|----------------------|-------------------------|
| Clock frequency f | 80...2000 kHz |
| Delay time t_v | 70 ns (RL = 120 Ohm) |
| Monoflop time t_m | 16 ... 24 μ s + T/2 |
| Clock interval t_p | 30 μ s |

EN580E.ML-SC - SSI

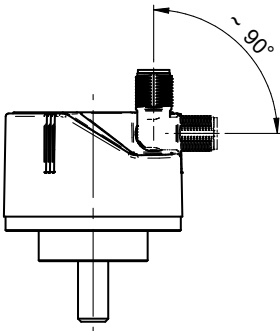
Solid shaft with clamping flange

Optical multiturn encoders 13 bit ST / 12 bit MT

Dimensions



Clamping flange, connector M12



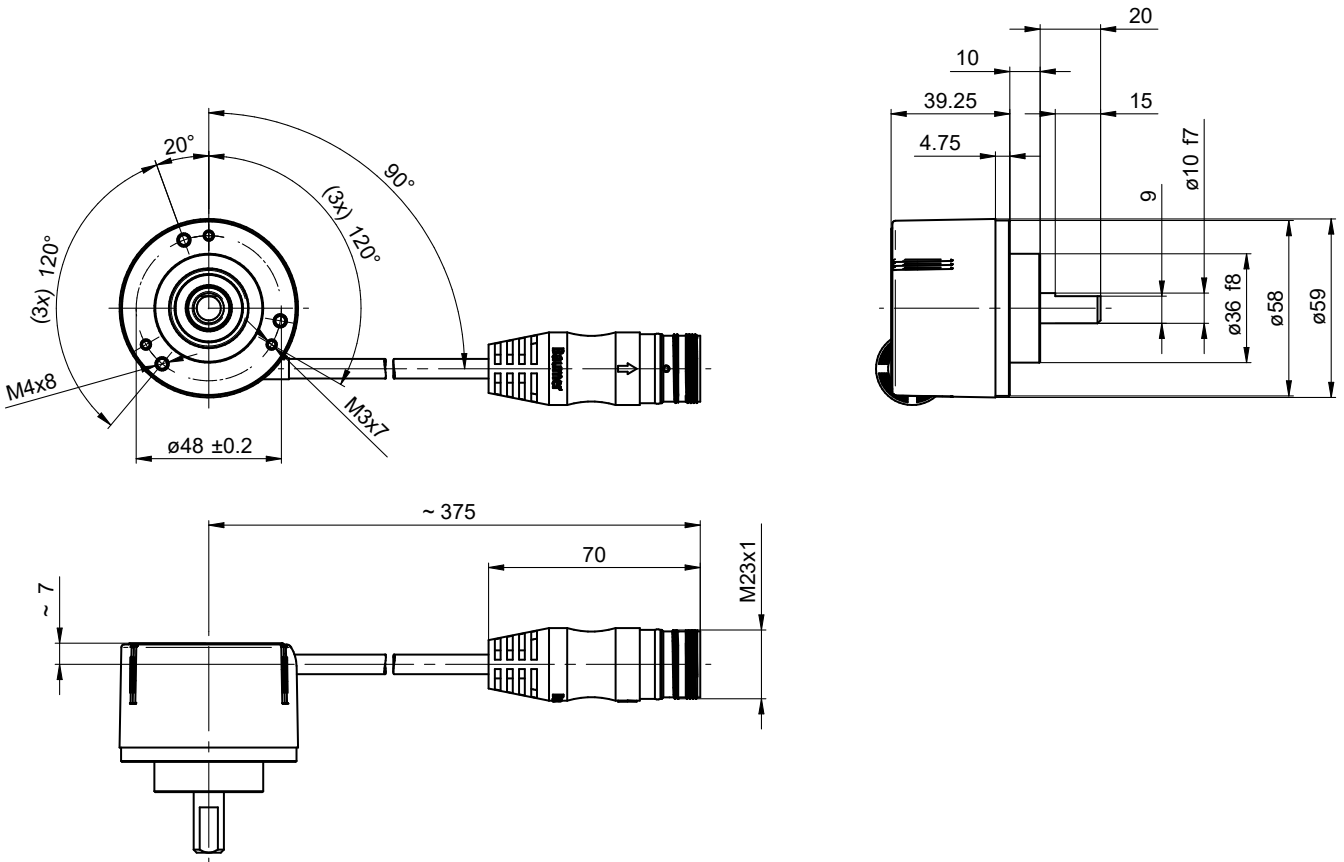
Clamping flange, flexible connector M12

EN580E.ML-SC - SSI

Solid shaft with clamping flange

Optical multiturn encoders 13 bit ST / 12 bit MT

Dimensions



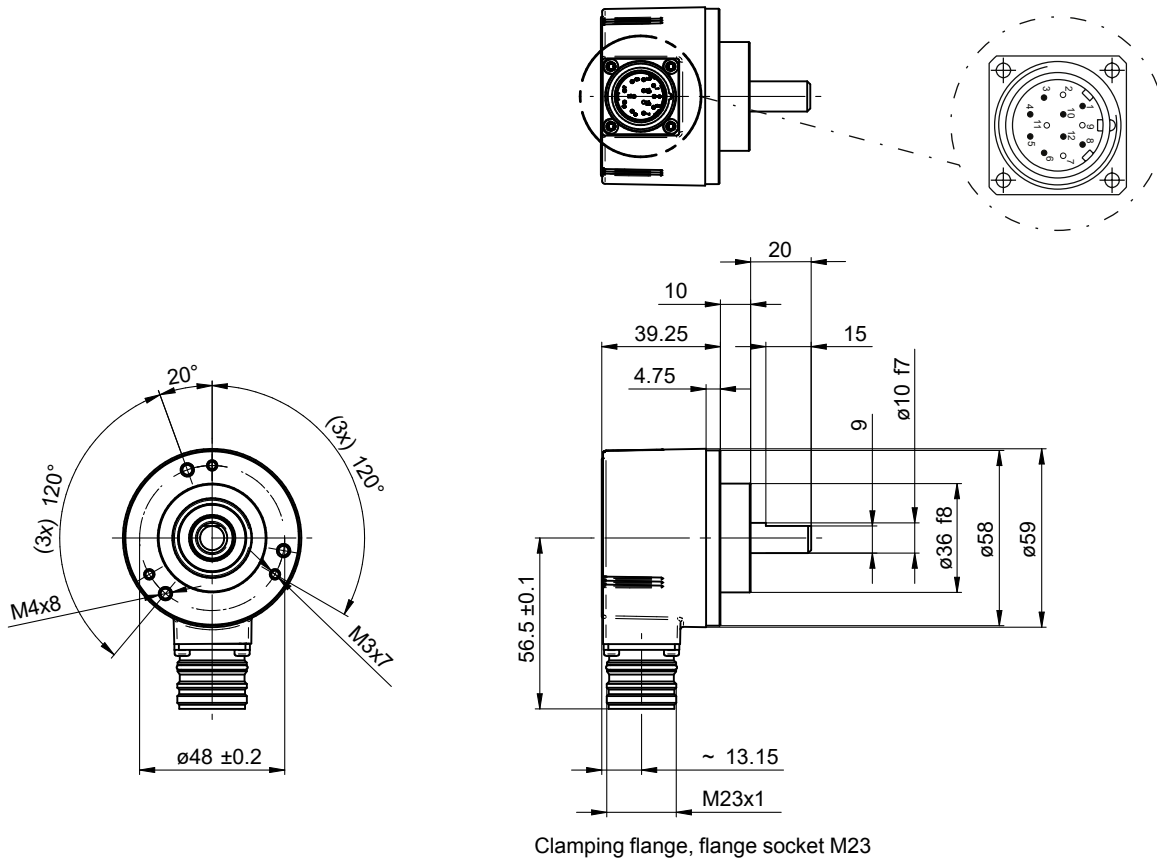
Clamping flange, flylead connector M23

EN580E.ML-SC - SSI

Solid shaft with clamping flange

Optical multiturn encoders 13 bit ST / 12 bit MT

Dimensions



EN580E.ML-SC - SSI

Solid shaft with clamping flange

Optical multiturn encoders 13 bit ST / 12 bit MT

Ordering reference

| | EN | 580 | E | . | M | L | - | S | C | 10 | . | G | ## | ## | . | 13 | 12 | 0 | . | H | |
|---|----|-----|---|---|---|---|---|---|---|----|---|---|----|----|---|----|----|---|---|----|----|
| Product | EN | | | | | | | | | | | | | | | | | | | | |
| Encoder | EN | | | | | | | | | | | | | | | | | | | | |
| Series | | 580 | | | | | | | | | | | | | | | | | | | |
| 580 | | 580 | | | | | | | | | | | | | | | | | | | |
| Focus | | | E | | | | | | | | | | | | | | | | | | |
| Essential | | | E | | | | | | | | | | | | | | | | | | |
| Function | | | | | M | | | | | | | | | | | | | | | | |
| Multiturn | | | | | M | | | | | | | | | | | | | | | | |
| Sensing | | | | | | L | | | | | | | | | | | | | | | |
| Optical | | | | | | L | | | | | | | | | | | | | | | |
| Shaft type | | | | | | | | S | | | | | | | | | | | | | |
| Solid shaft | | | | | | | | S | | | | | | | | | | | | | |
| Flange (shaft) | | | | | | | | | C | | | | | | | | | | | | |
| Clamping flange, centering collar $\varnothing 36 \times 10$ mm, pitch circle diameter 48 mm - 3xM3/3xM4 | | | | | | | | | C | | | | | | | | | | | | |
| Shaft | | | | | | | | | | 10 | | | | | | | | | | | |
| $\varnothing 10 \times 20$ mm, with flat | | | | | | | | | | 10 | | | | | | | | | | | |
| Protection class | | | | | | | | | | | | G | | | | | | | | | |
| Flange: IP 54, Housing: IP 65 | | | | | | | | | | | | G | | | | | | | | | |
| Connection | | | | | | | | | | | | | A1 | | | | | | | | |
| Connector moveable, M12, 8-pin, male contacts, CCW (A-cod) | | | | | | | | | | | | | A1 | | | | | | | | |
| Flange socket radial, M23, 12-pin, male contacts, CCW | | | | | | | | | | | | | B1 | | | | | | | | |
| Flylead connector, M23, 12-pin, male contacts, CCW, tangential, 0.3 m | | | | | | | | | | | | | E1 | | | | | | | | |
| Voltage supply / interface | | | | | | | | | | | | | | 1B | | | | | | | |
| 8...30 VDC, SSI binary | | | | | | | | | | | | | | 1B | | | | | | | |
| 8...30 VDC, SSI gray | | | | | | | | | | | | | | 1G | | | | | | | |
| Resolution Singleturn | | | | | | | | | | | | | | | | | | | | | |
| 13 Bit | | | | | | | | | | | | | | | | | | | | 13 | |
| Resolution Multiturn | | | | | | | | | | | | | | | | | | | | | |
| 12 Bit | | | | | | | | | | | | | | | | | | | | | 12 |
| Resolution supplement | | | | | | | | | | | | | | | | | | | | | |
| No option | | | | | | | | | | | | | | | | | | | | | 0 |
| Operating temperature | | | | | | | | | | | | | | | | | | | | | |
| -25...+85 °C | | | | | | | | | | | | | | | | | | | | | H |

Accessories

Mounting accessories

| | |
|----------|--|
| 11101781 | Double loops coupling (D1=10 / D2=10) |
| 11050507 | Bellows coupling (D1=06 / D2=10) |
| 11065923 | Coupling CPS25 (L=19, D1=10 / D2=10) |
| 11065922 | Coupling CPS25 (L=19, D1=10 / D2=06) |
| 10141132 | Spring washer coupling (D1=6 / D2=10) |
| 10141133 | Spring washer coupling (D1=10 / D2=10) |
| 11069337 | Coupling CPS37 (L=24, D1=10 / D2=06) |
| 11069340 | Coupling CPS37 (L=24, D1=10 / D2=10) |
| 11053277 | Bellows coupling (D1=10 / D2=10) |
| 11101893 | Spring encoder arm |
| 10125051 | Mounting adaptor |