

## EAM580R-SC - CANopen®

Solid shaft with clamping flange

Magnetic single- or multiturn encoders 14 bit ST / 18 bit MT

### Overview

- Encoder single- or multiturn / CANopen® redundant
- Redundant sensing with galvanical separation
- Resolution max. 32 bit (14 bit ST, 18 bit MT)
- E1 approval (KBA)
- High protection IP 67
- High resistance to shock and vibrations
- Protection against corrosion CX (C5-M)
- Wire cross section 0.5 mm<sup>2</sup>
- Applicable up to PLd (ISO 13849)



### Technical data

#### Technical data - electrical ratings

Voltage supply	10...30 VDC
Consumption typ.	35 mA (24 VDC, w/o load)
Initializing time	≤ 1 s after power on
Interface	CANopen®
Function	Multiturn Singleturn
Profile conformity	CANopen® CiA Communication profile DS 301 LSS profile DSP 305 Device profile DS 406
Steps per revolution	≤16384 / 14 bit
Number of revolutions	≤262144 / 18 bit
Absolute accuracy	±0.15 ° (+20 ±15 °C) ±0.25 ° (-40...+85 °C)
Sensing method	Magnetic
Code sequence	CW: ascending values with clockwise sense of rotation (looking at flange)
Output stages	CAN-Bus, LV (5 V) compatible ISO 11898
Interference immunity	EN 61000-6-2 UN ECE R10
Emitted interference	EN 61000-6-4 UN ECE R10
MTTF <sub>d</sub> (ISO 13849)	High (>100 years) per channel Use in safety functions exclusively based on Application Note and MTTF <sub>d</sub> reliability prediction (request separately).
Approval	UL approval / E217823 E1 approval (KBA)

#### Technical data - mechanical design

Size (flange)	ø58 mm
Shaft type	ø10 x 20 mm, solid shaft with flat
Flange	Clamping flange
Protection EN 60529	IP 67 (with shaft seal)
Operating speed	≤6000 rpm
Starting torque	≤2.5 Ncm (+20 °C, IP 67)
Moment of inertia	15.38 gcm <sup>2</sup>
Admitted shaft load	≤40 N axial ≤80 N radial
Material	Housing: steel, powder-coated Flange: aluminium Shaft: stainless steel
Corrosion protection	IEC 60068-2-52 Salt mist for ambient conditions CX (C5-M) according to ISO 12944-2
Operating temperature	-40...+85 °C (see general information)
Relative humidity	95 %
Resistance	EN 60068-2-6 Vibration 30 g, 10-2000 Hz EN 60068-2-27 Shock 500 g, 1 ms
Weight approx.	250 g
Connection	Flange connector M12, 5-pin Cable 2 m

## EAM580R-SC - CANopen®

Solid shaft with clamping flange

Magnetic single- or multiturm encoders 14 bit ST / 18 bit MT

### General information

Self-heating interrelated to speed, protection, attachment method and ambient conditions as well electronics and supply voltage must be considered for precise thermal dimensioning. Self-heating is supposed to approximate 12 K (IP 67 protection) per 1000 rpm. Operating the encoder close to the maximum limits requires measuring the real prevailing temperature at the encoder flange.

### Terminal assignment

#### Cable

for connection reference -L

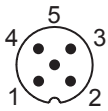
Core colour	Signals
white	0 V
brown	+Vs
green	CAN_H
yellow	CAN_L
grey	CAN_GND

Cable data: 5 x 0.5 mm<sup>2</sup>

#### Flange connector M12, 5-pin

for connection reference -N

Pin	Signals
1	CAN_GND
2	+Vs
3	0 V
4	CAN_H
5	CAN_L



### CANopen® features

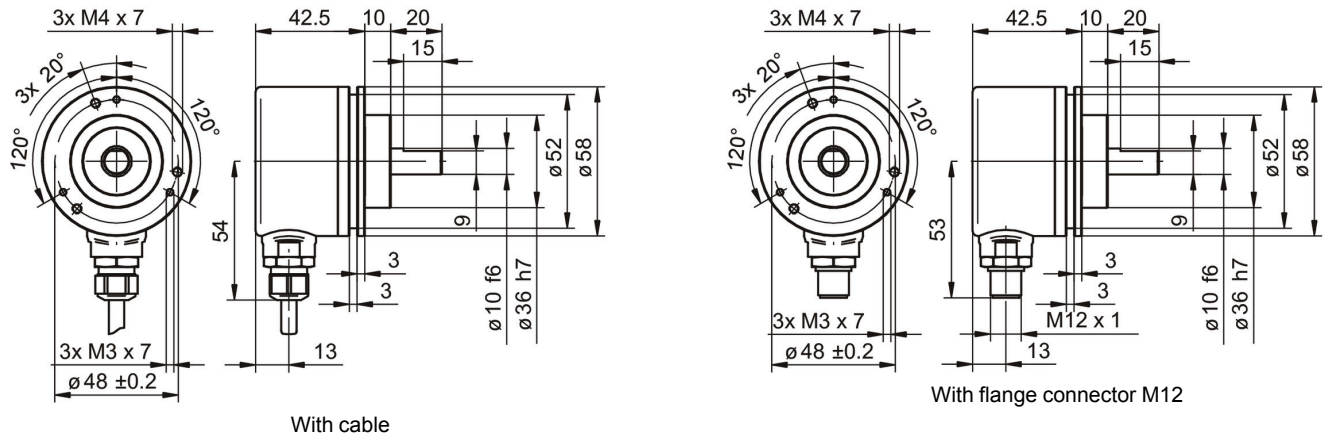
Operating modes	Timer-driven (Event-Time) Synchronously triggered (Sync)
Node Monitoring	Heartbeat Node guarding
Programmable parameters	Operating modes Total resolution Scalling
Diagnosis	Multiturn sensing Position error Temperature exceeding Speed exceeding
Default	50 kbit/s Channel A: Node ID 1 Channel B: Node ID 2

# EAM580R-SC - CANopen®

Solid shaft with clamping flange

Magnetic single- or multiturm encoders 14 bit ST / 18 bit MT

## Dimensions



# EAM580R-SC - CANopen®

Solid shaft with clamping flange

Magnetic single- or multiturn encoders 14 bit ST / 18 bit MT

## Ordering reference

	<b>EAM580R - S C 0 . 7 # C8 . 14 ## 0 . A</b>
<b>Product</b>	EAM580R
<b>Shaft type</b> Solid shaft	S
<b>Flange (shaft)</b> Clamping flange, centering collar ø36 x 10 mm, pitch circle diameter 48 mm - 3xM3/3xM4	C
<b>Shaft</b> ø10 x 20 mm, with flat	0
<b>Protection class</b> IP 67	7
<b>Connection</b> Cable radial, 2 m	L
Flange socket radial, M12, 5-pin, male contacts, CCW	N
<b>Voltage supply / interface</b> 10...30 VDC / CANopen (DS406) redundant (2-channel design)	C8
<b>Resolution Singleturn</b> 14 Bit	14
<b>Resolution Multiturn</b> No option	00
18 Bit	18
<b>Resolution supplement</b> No option	0
<b>Operating temperature</b> -40...+85 °C	A

## Accessories

### Mounting accessories

11101781	Double loops coupling (D1=10 / D2=10)
11050507	Bellows coupling (D1=06 / D2=10)
11065923	Coupling CPS25 (L=19, D1=10 / D2=10)
11065922	Coupling CPS25 (L=19, D1=10 / D2=06)
10141132	Spring washer coupling (D1=6 / D2=10)
10141133	Spring washer coupling (D1=10 / D2=10)
11069337	Coupling CPS37 (L=24, D1=10 / D2=06)
11069340	Coupling CPS37 (L=24, D1=10 / D2=10)
11053277	Bellows coupling (D1=10 / D2=10)
11101893	Spring encoder arm
10125051	Mounting adaptor