

## DLM30-IN

Compact inline load cells for industrial applications

DLM30-IN.###.TP3.C4

### Overview

- Tension and compression load from 0 ... 5'000 N
- Non-linearity < 0.2 %
- One-sided stop with integrated hexagon for easy mounting
- Sensor body made of stainless steel with protection class IP68
- Fully welded sensor design
- Durable with 100% working stroke



### Technical data

#### General data

Measuring range	0 ... 5000 N
Non-linearity	< 0.2 %
Repeatability	< 0.1 %
Temperature effect zero	< 0.2 % / 10K
Zero point deviation	< 20 %
Type	Inline
Mechanical mounting	M6 thread / M6 thread

#### Electrical data

Nominal sensitivity	1 mV/V
Bridge resistance	1000 Ω
Supply voltage	0.5 ... 12 VDC
Signal polarity positive	Tension

#### Mechanical data

Overload	150 %
----------	-------

#### Mechanical data

Breaking load	200 %
Fatigue strength	>10 Mio cycles at 0...100% FS
Nominal displacement	22 μm
Weight	55 g
Material sensor body	Stainless steel, 1.4542
Electrical connection	M8, 4 pin, male

#### Environmental conditions

Operating temperature range	-40 ... 85 °C
Storage temperature range	-40 ... 85 °C
Protection class EN 60529, ISO20653	IP 68

#### Compliance and approvals

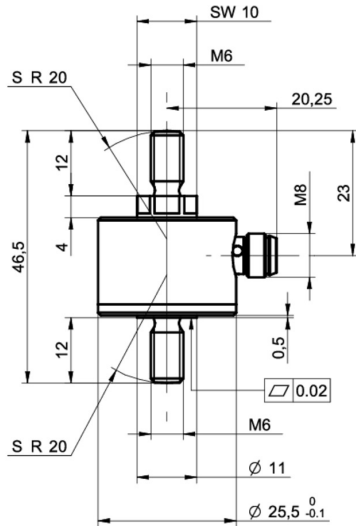
UL listed	E217824
-----------	---------

# DLM30-IN

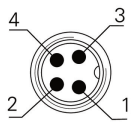
Compact inline load cells for industrial applications

DLM30-IN.###.TP3.C4

## Dimensional drawings (mm)



## Electrical connection



- 1 +Vs
- 2 Sig +
- 3 -Vs
- 4 Sig -

## Ordering key - Configuration possibilities see website

	<b>DLM</b>	<b>30</b>	<b>-</b>	<b>IN</b>	<b>.</b>	<b>###</b>	<b>.</b>	<b>T</b>	<b>P3</b>	<b>.</b>	<b>C4</b>
<b>Product group</b>	Membrane force sensor										
	DLM										
<b>Size category</b>	30										
<b>Type</b>	Inline										
	IN										
<b>Nominal force</b>	200 N										
	500 N										
	1 kN										
	2 kN										
	5 kN										
<b>Measuring direction positive</b>	Tension										
	T										
<b>Output signal</b>	Nominal sensitivity 1.00 mV/V										
	P3										
<b>Electrical connection</b>	M8, 4 pin, male										
	C4										