

DLM20-IN

Compact inline load cells for industrial applications

DLM20-IN.###.TP3.M4

Overview

- Tension and compression load from 0 ... 1000 N
- Non-linearity < 0.2 %
- Small outer diameter for limited space conditions
- One-sided stop with integrated hexagon for easy mounting
- Sensor body made of stainless steel with protection class IP67
- Fully welded sensor design
- Durable with 100% working stroke



Technical data

General data

Measuring range	0 ... 1000 N
Non-linearity	< 0.2 %
Repeatability	< 0.1 %
Temperature effect zero	< 0.2 % / 10K
Zero point deviation	< 20 %
Type	Inline
Mechanical mounting	M4 thread / M4 thread

Electrical data

Nominal sensitivity	1 mV/V
Bridge resistance	1000 Ω
Supply voltage	0.5 ... 12 VDC
Signal polarity positive	Tension

Mechanical data

Overload	150 %
----------	-------

Mechanical data

Breaking load	200 %
Fatigue strength	>10 Mio cycles at 0...100% FS
Nominal displacement	15 μm
Weight	22 g
Material sensor body	Stainless steel, 1.4542
Electrical connection	M5, 4 pin, male

Environmental conditions

Operating temperature range	-40 ... 85 °C
Storage temperature range	-40 ... 85 °C
Protection class EN 60529, ISO20653	IP 67

Compliance and approvals

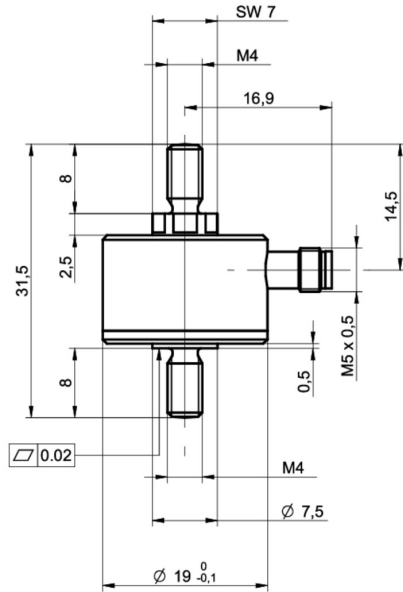
UL listed	E217824
-----------	---------

DLM20-IN

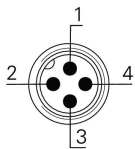
Compact inline load cells for industrial applications

DLM20-IN.###.TP3.M4

Dimensional drawings (mm)



Electrical connection



- 1 +Vs
- 2 Sig +
- 3 -Vs
- 4 Sig -

Ordering key - Configuration possibilities see website

	DLM	20	-	IN	.	###	.	T	P3	.	M4
Product group	Membrane force sensor										
Size category	20										
Type	Inline										
Nominal force	50 N										
	100 N										
	200 N										
	500 N										
	1 kN										
Measuring direction positive	Tension										
Output signal	Nominal sensitivity 1.00 mV/V										
Electrical connection	M5, 4 pin, male										