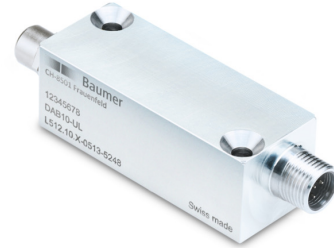


Overview

- Digital IO-Link measuring amplifier
- Individual and application-specific parameterization
- The measurement electronics for your force measurement



Technical data

General data

Output signal	IO-Link
Non-linearity	< 0.005 %
Repeatability	< 0.01 %
Temperature effect zero	< 0.01 % / 10K

Mechanical data

Material housing	Aluminium, 6060, chem. passivated
Electrical connection on sensor side	M8, 4 pin, female
Electrical connection on control side	M12, 5 pin, male

Environmental conditions

Operating temperature range	-40 ... 85 °C
Storage temperature range	-40 ... 85 °C
Protection class EN 60529, ISO20653	IP 65
Vibration IEC 60068-2-6	10 ... 57 Hz: 1.5 mm p-p, 58 ... 2000 Hz: 10 g
Random IEC 60068-2-64	20 ... 1000 Hz: 0.1 g ² /Hz
Shock IEC 60068-2-27	50 g / 11 ms, 100 g / 6 ms

Electrical data bridge

Bridge resistance	≥ 350 Ω
Signal area	± 3.8 mV/V
Power supply	2.5 VDC

Electrical data

Supply voltage	18 ... 30 VDC
Current consumption	< 40 mA
Resolution ADC	24 bit
Sampling rate input	8 kS/s

Electrical data

SNR @1.0 mV/V	> 75 dB
Short circuit protection	Yes
Reverse polarity protection	Yes

IO-Link interface

IO-Link version	1.1
IO-Link port type	Class A
Baud rate	230,4 kbaud (COM3)
Process data length	32 bit
Cycle time	≥ 1 ms
SIO-mode	Yes
Process data (cyclic)	Process Value Scale exponent SSC 1 SSC 2 Quality Alarm

IO-Link features

Parameterizable	Process input Unit (N, kg, μm/m) selectable Teach-in Offset/ Tare Correlation to known force Functions I/O's selectable
Additional functions	Low pass filter Peak value memory Sample and hold Two digital switching points (SSC) Remote operation
Additional data	Diagnostic data Error detection

Compliance and approvals

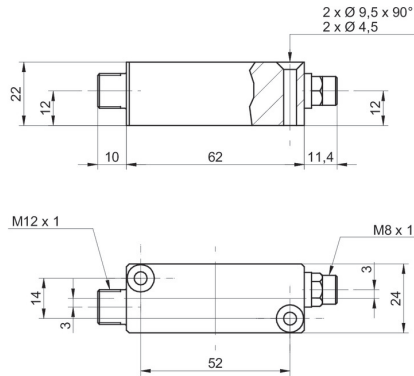
Conformity	CE UL
------------	----------

DAB10-AL

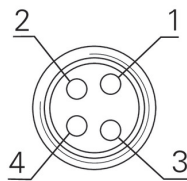
Measuring amplifier with IO-Link interface

Article number: 11237417

Dimensional drawings (mm)

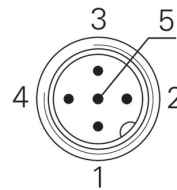


Electrical connection



- 1 +Vs
- 2 Sig +
- 3 -Vs
- 4 Sig -

Electrical connection on sensor side



- 1 L+
- 2 DI/DQ
- 3 L-
- 4 C/Q
- 5 n.c.

Electrical connection on control side

Connection diagram

